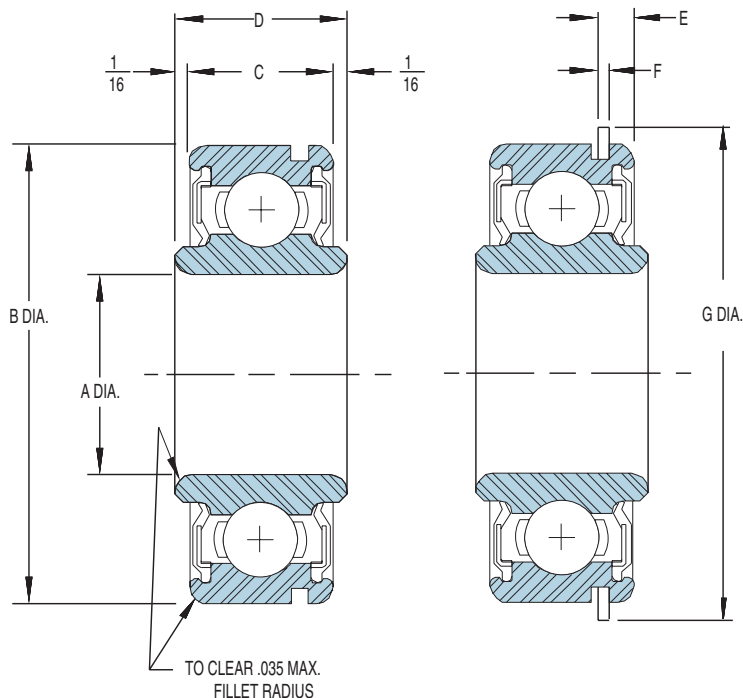


8600 Extra Light Inch Series

EXTENDED INNER RING



This retainer-type, extra light, inch series bearing with extended inner ring, has a snap ring groove. The snap ring allows for easy positioning during mounting and eliminates costly machining operations. Ground raceways are 52100 chrome steel material with steel retainers. Maximum recommended speed is 5000 RPM. Bearings are factory lubricated and sealed.



BASIC BEARING NUMBER	WITH SNAP RING	OUTSIDE DIAMETER B		WIDTH C OUTER	WIDTH D INNER RING	RING	E	F	BASIC G	BASIC STATIC LOAD (lbs)	DYNAMIC LOAD ¹ (lbs)	WEIGHT (lbs)
		BORE A +.0000 -.0005	inch									
8601	S8601	.5000	1.7500	-.0005	.625	.750	.136	.042	1.921	707	1366	.30
8602	S8602	.6250	1.7500	-.0005	.625	.750	.136	.042	1.921	707	1366	.28
8603	S8603	.7500	1.7500	-.0005	.625	.750	.136	.042	1.921	707	1366	.25
8604	S8604	.8750	2.0000	-.0006	.625	.750	.136	.042	2.156	1096	2040	.32
8605	S8605	1.0000	2.0000	-.0006	.625	.750	.136	.042	2.156	1096	2040	.29
8606	S8606	1.1250	2.5625	-.0006	.750	.875	.190	.065	2.844	1831	3070	.65
8607	S8607	1.2500	2.5625	-.0006	.750	.875	.190	.065	2.844	1831	3070	.60

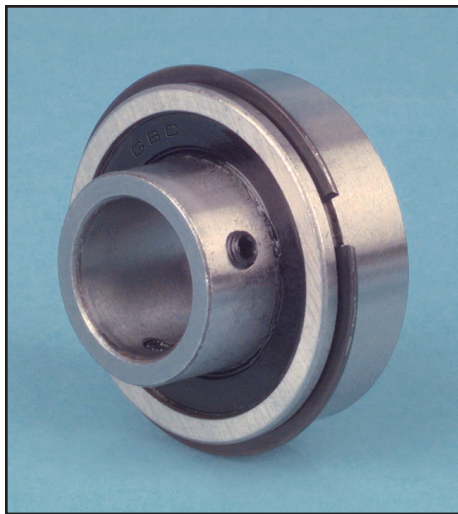
¹ Dynamic Loads are based on 1 million revolutions.

PART NUMBER NOMENCLATURE EXAMPLE:
8601-88 (7508 DL) – Snap Ring Groove only
S8601-88 (7508 DLG) – Snap Ring

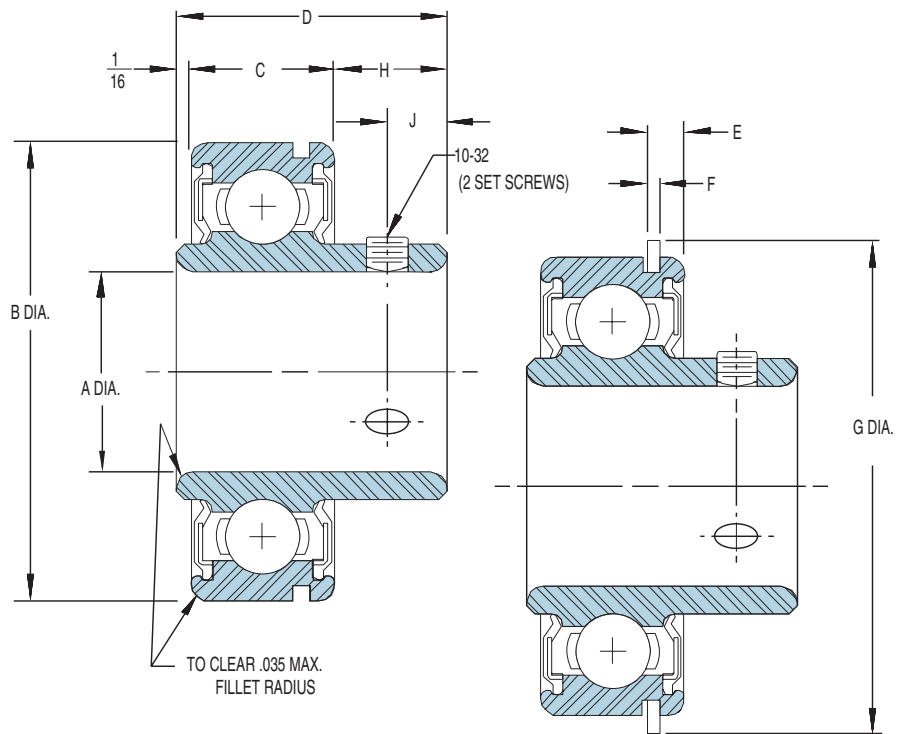
Directly interchangeable with industry standard 7500 series.
Refer to page 39.

8700 Extra Light Inch Series

EXTENDED INNER RING AND SET SCREWS



This retainer-type, extra light, inch series bearing with extended inner ring, has a snap ring groove. The snap ring allows for easy positioning during mounting and eliminates costly machining operations. Ground raceways are 52100 chrome steel material with steel retainers. The extended inner ring is equipped with two set screws to secure the ring to the shaft. Maximum recommended speed is 5000 RPM. Bearings are factory lubricated and sealed.



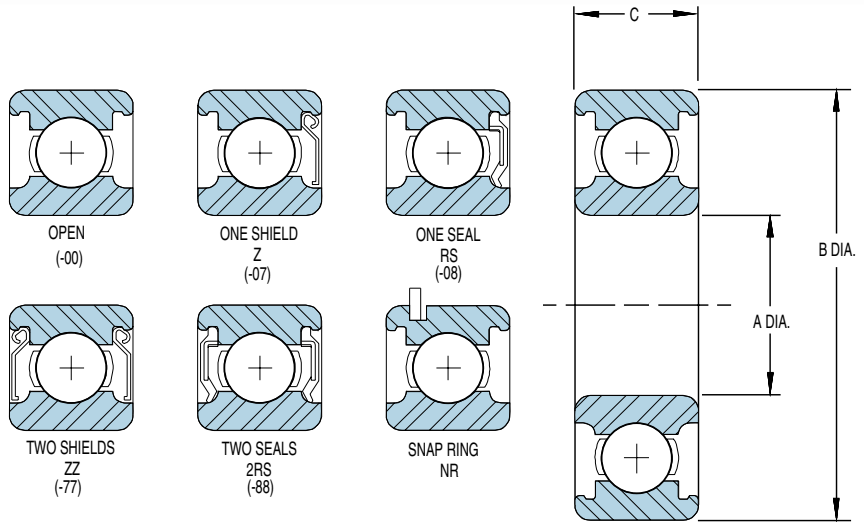
BASIC BEARING NUMBER		BORE A +.0008 -.0000	OUTSIDE DIAMETER B		WIDTH C	WIDTH D	E	F	G	H	J	BASIC STATIC LOAD (lbs)	BASIC DYNAMIC LOAD ¹ (lbs)	WEIGHT (lbs)
	WITH SNAP RING		inch	tol. +.0000	OUTER RING +.000 -.005	INNER RING +.000 -.005								
8701	S8701	.5000	1.7500	-.0005	.625	1.092	.136	.042	1.921	.405	.233	707	1366	.38
8702	S8702	.6250	1.7500	-.0005	.625	1.092	.136	.042	1.921	.405	.233	707	1366	.34
8703	S8703	.7500	1.7500	-.0005	.625	1.092	.136	.042	1.921	.405	.233	707	1366	.31
8704	S8704	.8750	2.0000	-.0006	.625	1.179	.136	.042	2.156	.492	.261	1096	2040	.43
8706	S8706	1.0000	2.0000	-.0006	.625	1.179	.136	.042	2.156	.492	.261	1096	2040	.36
8709	S8709	1.2500	2.5625	-.0006	.750	1.417	.190	.065	2.843	.605	.261	1831	3070	.76

¹ Dynamic Loads are based on 1 million revolutions.

PART NUMBER NOMENCLATURE EXAMPLE:
8701-88 (7608 DL) – Snap Ring Groove only
S8701-88 (7608 DLG) – Snap Ring

Directly interchangeable with industry standard 7600 series.
Refer to page 39.

20000 Extra Light Inch Series



This extra light inch series is suitable for the majority of ABEC-1 bearing applications. Ground raceways are 52100 chrome steel material with steel retainers. Maximum recommended speed is 5000 RPM. Bearings are available open, shielded or sealed and are factory lubricated with grease.

BASIC BEARING NUMBER	BORE A +.0000 -.0005	OUTSIDE DIAMETER B		WIDTH C +.000 -.005	MAX FILLET RADIUS	BASIC STATIC LOAD (lbs)	BASIC DYNAMIC LOAD ¹ (lbs)	WEIGHT ² (lbs)
		inch	tol. +.0000					
21103	.1875	.6875	-0.005	†.250/.312	.012	201	500	.018
21104	.2500	.6875	-0.005	†.250/.312	.012	201	500	.018
21405	.3125	.8750	-0.005	†.281/.344	.016	318	751	.035
* 21406	.3750	.8750	-0.005	†.281/.344	.016	318	751	.035
21505	.3125	.9062	-0.005	.312	.016	291	607	.035
21506	.3750	.9062	-0.005	.312	.016	291	607	.030
21507	.4375	.9062	-0.005	.312	.016	291	607	.030
21806	.3750	1.1250	-0.005	.375	.016	538	1151	.065
21807	.4375	1.1250	-0.005	.375	.016	538	1151	.060
* 21808	.5000	1.1250	-0.005	.375	.016	538	1151	.055
22207	.4375	1.3750	-0.005	.437	.031	746	1526	.105
* 22208	.5000	1.3750	-0.005	.437	.031	746	1526	.110
22209	.5625	1.3750	-0.005	.437	.031	746	1526	.110
* 22210	.6250	1.3750	-0.005	.437	.031	746	1526	.080
22610	.6250	1.6250	-0.005	.500	.031	1010	1951	.175
22612	.7500	1.6250	-0.005	.500	.031	1010	1951	.160
22810	.6250	1.7500	-0.005	.500	.031	1010	1951	.220
22812	.7500	1.7500	-0.005	.500	.031	1010	1951	.205
23212	.7500	2.0000	-0.006	.562	.031	1565	2914	.280
23214	.8750	2.0000	-0.006	.562	.031	1565	2914	.255
* 23216	1.0000	2.0000	-0.006	.562	.031	1565	2914	.275
24018	1.1250	2.5000	-0.006	.625	.035	2195	3751	.460
24020	1.2500	2.5000	-0.006	.625	.035	2195	3751	.445
24120	1.2500	2.5625	-0.006	.687	.035	2616	4386	.550
24121	1.3125	2.5625	-0.006	.687	.035	2616	4386	.450

†NOTE: When two widths are listed, the first dimension applies for open or shielded bearings. The second dimension applies for sealed bearings.

*Also available: Seals with snap rings – add prefix “S” (Eg. S21406-88)

¹ Dynamic Loads are based on 1 million revolutions.

² Weight is based on an open, oiled bearing.

PART NUMBER NOMENCLATURE EXAMPLE:

21104-77 – Two Shields

21104-88 – Two Seals

Directly interchangeable with industry standard 1600 series.

Refer to page 38.