



# **DURALINE™ BEARINGS**

DuraLine™ Features .....	N-2
Pillow Blocks.....	N-3 to N-6
Flange Blocks.....	N-7 to N-10
Flange Bracket Bearings.....	N-11
Tapped Based Pillow Blocks.....	N-12
Medium Duty Bearings.....	N-13
Load Ratings.....	N-14





# **DURALINE™ MOUNTED BEARINGS**

## **FEATURES**

- Reliable Performance
- Economical Durability
- Bore Sizes Up to 3-1/2"
- Cast Iron Pillow Blocks
- Cast Iron and Ductile Iron Flange Blocks
- Cast Iron Flange Brackets
- Normal Duty and Medium Duty Sizes
- Setscrew Lock and Eccentric Lock Inserts
- Wide and Narrow Inner Race Inserts
- Self-Aligning Replacement Bearings
- Pre-Lubricated with Lithium Grease
- Steel Retainers
- Anti-rotation Pins
- Nitrile Rubber Seals with Steel Trash Guards
- Precision Bored Housings



**For Additional Mounted  
Bearing Choices  
See IndustrialLine  
Section M**



# PILLOW BLOCKS

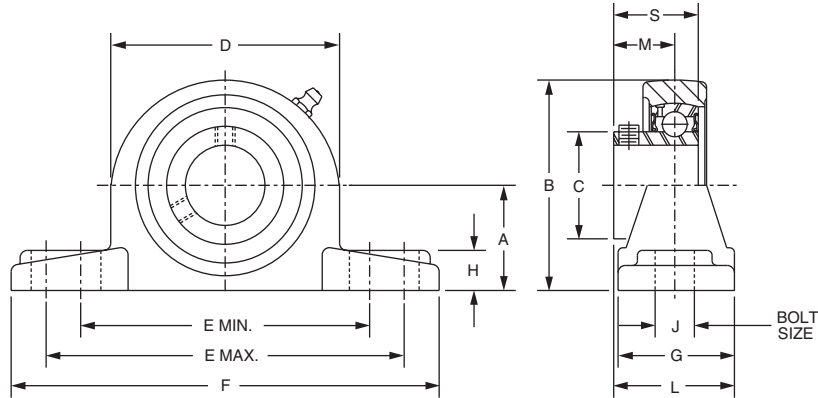
## PB250UR, PB251UR

### FEATURES

- Self-aligning replaceable bearing
- Pre-lubricated with lithium grease
- Steel retainers
- Anti-rotation pins
- Nitrile rubber seals with steel trash guards
- Precision bored housings



200 SERIES 2 BOLT PILLOW BLOCK – SETSCREW LOCK



200 SERIES – 2 BOLT PILLOW BLOCKS – CAST IRON – SETSCREW LOCK – RELUBE TYPE

PB250UR (FOR LOW SHAFT HEIGHTS)

SHAFT SIZE	A	B	C	D	E MIN.	E MAX.	F	G	H	J	L	M	S	WT. LBS.
1/2, 5/8	1-1/16	2-1/8	0.921	2-1/4	3-3/8	3-5/8	4-3/4	1-3/8	33/64	3/8	1-5/16	0.630	0.866	1.2
3/4	1-1/4	2-1/2	1.142	2-5/8	3-3/4	3-31/32	5-1/32	1-1/2	35/64	3/8	1-29/64	0.709	0.984	1.8
7/8, 1	1-5/16	2-5/8	1.339	2-25/32	4	4-1/4	5-1/2	1-9/16	19/32	3/8	1-35/64	0.768	1.063	2.3
1-1/8, 1-3/16, 1-1/4S	1-9/16	3-1/8	1.587	3-9/32	4-9/16	4-31/32	6-5/16	1-23/32	43/64	1/2	1-47/64	0.866	1.181	2.8
1-1/4, 1-3/8, 1-7/16	1-13/16	3-19/32	1.890	3-27/32	4-13/16	5-3/16	6-9/16	1-7/8	45/64	1/2	1-7/8	0.925	1.260	3.6
1-1/2,	1-15/16	3-27/32	2.087	4-3/16	5-5/16	5-11/16	7-1/8	2-1/16	3/4	1/2	2	0.984	1.339	4.5
1-5/8, 1-11/16, 1-3/4	2-1/16	4-1/8	2.252	4-17/32	5-9/16	5-15/16	7-7/16	2-1/8	25/32	1/2	2-9/32	1.220	1.622	5.1
1-7/8, 1-15/16, 2S	2-3/16	4-3/8	2.433	4-13/16	6-1/16	6-11/16	8-1/8	2-1/4	53/64	5/8	2-13/32	1.283	1.713	6
2, 2-3/16	2-7/16	4-27/32	2.717	5-5/16	6-7/8	7-3/8	9-1/8	2-3/8	29/32	5/8	2-1/2	1.319	1.783	8.2
2-1/4, 2-7/16	2-11/16	5-11/32	2.949	5-13/16	7-9/32	7-15/16	9-1/2	2-17/32	63/64	5/8	2-25/32	1.528	2.114	10.9
2-15/16	3-1/4	6-3/8	3.602	6-3/4	8-3/8	8-11/16	10-13/16	2-15/16	1-1/8	3/4	3-63/64	1.535	2.106	16.5

PB251UR (FOR HIGH SHAFT HEIGHTS)

SHAFT SIZE	A	B	C	D	E MIN.	E MAX.	F	G	H	J	L	M	S	WT. LBS.
1/2, 5/8	1-3/16	2-1/4	0.921	2-3/8	3-5/8	3-15/16	4-15/16	1-1/4	33/64	3/8	1-17/64	0.630	0.866	1.3
3/4	1-5/16	2-1/2	1.142	2-19/32	3-21/32	3-29/32	5	1-15/32	35/64	3/8	1-7/16	0.709	0.984	1.9
7/8, 1	1-7/16	2-3/4	1.339	2-7/8	3-29/32	4-3/8	5-1/2	1-1/2	19/32	3/8	1-33/64	0.768	1.063	2.4
1-1/8, 1-3/16, 1-1/4S	1-11/16	3-7/32	1.587	3-3/8	4-9/16	4-31/32	6-5/16	1-23/32	5/8	1/2	1-47/64	0.866	1.181	2.9
1-1/4, 1-3/8, 1-7/16	1-7/8	3-5/8	1.890	3-3/4	4-13/16	5-1/8	6-9/16	1-7/8	43/64	1/2	1-7/8	0.925	1.260	4
1-1/2,	2	3-15/16	2.087	4-1/8	5-1/8	5-19/32	7-3/32	2-1/16	45/64	1/2	2	0.984	1.339	4.6
1-5/8, 1-11/16, 1-3/4	2-1/8	4-5/32	2.252	4-13/32	5-1/2	5-31/32	7-7/16	2-1/8	25/32	1/2	2-9/32	1.220	1.622	5.2
1-7/8, 1-15/16, 2S	2-1/4	4-13/32	2.433	4-11/16	6-5/32	6-11/16	8-1/8	2-1/4	53/64	5/8	2-13/32	1.283	1.713	6.2
2, 2-3/16	2-1/2	4-29/32	2.717	5-3/32	6-21/32	6-7/8	8-17/32	2-3/8	55/64	5/8	2-1/2	1.319	1.783	8.4
2-1/4, 2-7/16	2-3/4	5-13/32	2.949	5-21/32	7-3/32	7-15/16	9-1/2	2-19/32	61/64	5/8	2-53/64	1.528	2.114	11.1

FOR LOAD RATINGS, SEE PAGE N-14

**DURALINE REPLACEMENT INSERTS**

FOR 100 AND 200 SERIES SETSCREW LOCK USE B250R, FOR 100 AND 200 SERIES ECCENTRIC LOCK USE B220R, FOR 300 SERIES SETSCREW LOCK USE B350R

DIMENSIONS SHOWN ARE FOR REFERENCE ONLY. TO ORDER, SPECIFY TYPE AND BORE SIZE. EXAMPLE: PB250UR X 1-7/16

CERTIFIED PRINTS ARE AVAILABLE UPON REQUEST

CALL: (605) 225-0360 • FAX: (605) 225-0567

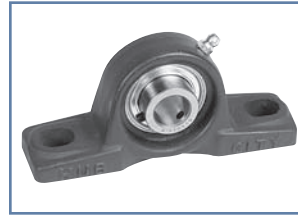


## PILLOW BLOCKS - WIDE INNER RACE

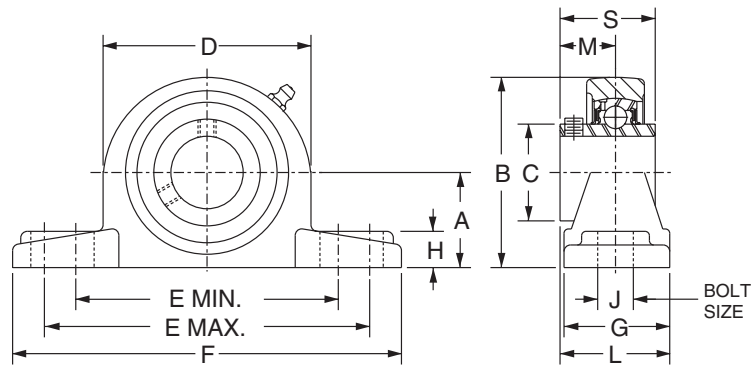
PB250DRW, PB251DRW

### FEATURES

- Ductile iron housings
- Higher strength and impact resistance for high shock loads
- Suitable to replace gray iron housed bearings
- Self-aligning replaceable bearing
- Pre-lubricated with lithium grease
- Steel retainers and anti-rotation pins
- Nitrile rubber seals with steel flingers
- Precision bored housings



200 SERIES 2 BOLT PILLOW BLOCK  
SETScrew LOCK – WIDE INNER RING



### 200 SERIES - 2 BOLT PILLOW BLOCKS - DUCTILE IRON - SETSCREW LOCK - RELUBE TYPE - WIDE INNER RING

#### PB250DRW (FOR LOW SHAFT HEIGHTS)

SHAFT SIZE	A	B	C	D	E MIN.	E MAX.	F	G	H	J	L	M	S	WT. LBS.
1/2, 5/8	1-1/16	2-1/8	0.969	2-1/4	3-3/8	3-5/8	4-3/4	1-3/8	33/64	3/8	1-5/16	0.626	1.079	1.2
3/4	1-1/4	2-1/2	1.142	2-5/8	3-3/4	3-31/32	5-1/32	1-1/2	35/64	3/8	1-15/32	0.720	1.220	1.9
7/8, 1	1-5/16	2-5/8	1.339	2-25/32	4	4-1/4	5-1/2	1-9/16	19/32	3/8	1-9/16	0.776	1.339	2.4
1-1/8, 1-3/16, 1-1/4S	1-9/16	3-1/8	1.587	3-9/32	4-9/16	4-31/32	6-5/16	1-23/32	43/64	1/2	1-3/4	0.874	1.500	3
1-1/4, 1-3/8, 1-7/16	1-13/16	3-19/32	1.843	3-27/32	4-13/16	5-3/16	6-9/16	1-7/8	45/64	1/2	1-15/16	1.000	1.689	3.8
1-1/2,	1-15/16	3-27/32	2.063	4-3/16	5-5/16	5-11/16	7-1/8	2-1/16	3/4	1/2	2-7/32	1.189	1.937	4.8
1-11/16, 1-3/4	2-1/16	4-1/8	2.260	4-17/32	5-15/16	5-11/16	7-7/16	2-1/8	25/32	1/2	2-1/4	1.189	1.937	5.4
1-15/16, 2S	2-3/16	4-3/8	2.433	4-13/16	6-1/16	6-11/16	8-1/8	2-1/4	53/64	5/8	2-13/32	1.283	2.031	6.5
2, 2-3/16	2-7/16	4-27/32	2.705	5-5/16	6-7/8	7-3/8	9-1/8	2-3/8	29/32	5/8	2-1/2	1.315	2.189	8.7
2-7/16	2-11/16	5-11/32	2.992	5-13/16	7-9/32	7-15/16	9-1/2	2-17/32	63/64	5/8	2-53/64	1.563	2.563	11.4
2-15/16	3-1/4	6-3/8	3.602	6-3/4	8-3/8	8-11/16	10-13/16	2-15/16	1-1/8	3/4	3-7/32	1.752	3.062	16.5

#### PB251DRW (FOR HIGH SHAFT HEIGHTS)

SHAFT SIZE	A	B	C	D	E MIN.	E MAX.	F	G	H	J	L	M	S	WT. LBS.
1/2, 5/8	1-3/16	2-7/16	0.969	2-1/2	3-35/64	4-1/64	5	1-1/2	19/32	3/8	1-3/8	0.626	1.079	1.3
3/4	1-5/16	2-9/16	1.142	2-1/2	3-25/32	4-1/64	5	1-1/2	19/32	3/8	1-15/32	0.720	1.220	2
7/8, 1	1-7/16	2-3/4	1.339	2-27/32	3-29/32	4-3/8	5-1/2	1-1/2	5/8	3/8	1-17/32	0.776	1.339	2.5
1-1/8, 1-3/16, 1-1/4S	1-11/16	3-9/32	1.587	3-5/16	4-39/64	4-59/64	6-1/2	1-7/8	23/32	5/8	1-13/16	0.874	1.500	3.1
1-1/4, 1-3/8, 1-7/16	1-7/8	3-5/8	1.843	3-5/8	4-13/16	5-1/8	6-9/16	1-7/8	3/4	5/8	1-15/16	1.000	1.689	4.2
1-1/2	2	3-7/8	2.063	4-1/64	5-13/64	5-33/64	7-1/4	2-1/8	3/4	5/8	2-1/4	1.189	1.937	4.9
1-11/16, 1-3/4	2-1/8	4-3/16	2.260	4-7/32	5-19/32	5-29/32	7-31/64	2-1/8	25/32	5/8	2-1/4	1.189	1.937	5.5
1-15/16, 2S	2-1/4	4-13/32	2.433	4-37/64	6-1/16	6-11/16	8-1/8	2-3/8	55/64	3/4	2-15/32	1.283	2.031	6.7
2, 2-3/16	2-1/2	4-31/32	2.705	5	6-17/32	6-15/16	8-5/8	2-3/8	55/64	3/4	2-1/2	1.315	2.189	8.9
2-7/16	2-3/4	5-13/32	2.992	5-5/8	7-1/16	7-15/16	9-1/2	2-3/4	63/64	3/4	2-15/16	1.563	2.563	11.6
2-15/16	3-5/16	6-7/16	3.602	6-3/4	8-3/8	8-11/16	10-13/16	2-15/16	1-3/16	3/4	3-7/32	1.752	3.062	16.7

FOR LOAD RATINGS, SEE PAGE N-14

#### DURALINE REPLACEMENT INSERTS

FOR 100 AND 200 SERIES SETSCREW LOCK USE B250RW, FOR 100 AND 200 SERIES ECCENTRIC LOCK USE B220RW

DIMENSIONS SHOWN ARE FOR REFERENCE ONLY.  
TO ORDER, SPECIFY TYPE AND BORE SIZE.  
EXAMPLE: PB250DRW X 1-7/16

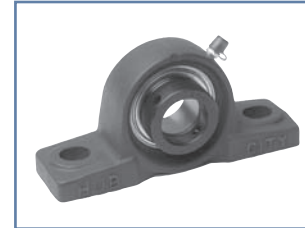
CERTIFIED PRINTS ARE AVAILABLE UPON REQUEST



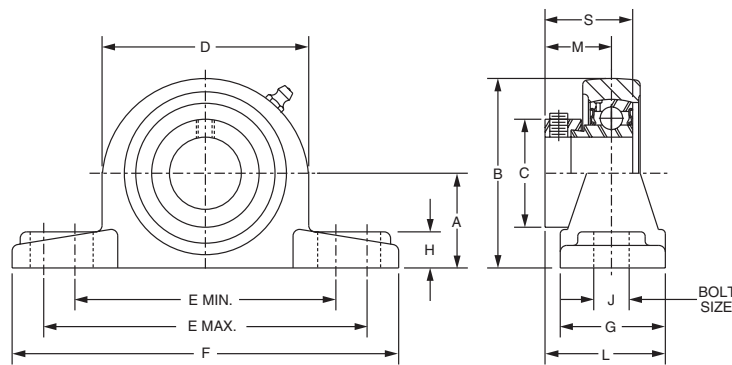
## PILLOW BLOCKS PB220UR, PB221UR

### FEATURES

- Self-aligning replaceable bearing
- Pre-lubricated with lithium grease
- Steel retainers
- Anti-rotation pins
- Nitrile rubber seals with steel trash guards
- Precision bored housings



### 200 SERIES 2 BOLT PILLOW BLOCK – ECCENTRIC LOCK



#### 200 SERIES – 2 BOLT PILLOW BLOCKS – CAST IRON – ECCENTRIC LOCK – RELUBE TYPE

##### PB220UR (FOR LOW SHAFT HEIGHTS)

SHAFT SIZE	A	B	C	D	E MIN.	E MAX.	F	G	H	J	L	M	S	WT. LBS.
1/2, 5/8	1-1/16	2-1/8	1.126	2-1/4	3-3/8	3-5/8	4-3/4	1-3/8	33/64	3/8	1-9/16	0.870	1.126	1.1
3/4	1-1/4	2-1/2	1.311	2-5/8	3-3/4	3-31/32	5-1/32	1-1/2	35/64	3/8	1-43/64	0.921	1.217	1.8
7/8, 1	1-5/16	2-5/8	1.500	2-13/16	4	4-1/4	5-1/2	1-9/16	19/32	3/8	1-45/64	0.921	1.217	2.3
1-1/8, 1-3/16, 1-1/4S	1-9/16	3-1/8	1.752	3-9/32	4-9/16	4-31/32	6-5/16	1-23/32	43/64	1/2	1-59/64	1.051	1.406	2.8
1-1/4, 1-3/8, 1-7/16	1-13/16	3-19/32	2.189	3-27/32	4-13/16	5-3/16	6-9/16	1-7/8	45/64	1/2	2-7/64	1.157	1.531	3.7
1-1/2,	1-15/16	3-27/32	2.374	4-3/16	5-5/16	5-11/16	7-1/8	2-1/16	3/4	1/2	2-5/16	1.287	1.720	4.2
1-5/8, 1-11/16, 1-3/4	2-1/16	4-1/8	2.500	4-17/32	5-9/16	5-15/16	7-7/16	2-1/8	25/32	1/2	2-11/32	1.283	1.717	4.8
1-7/8, 1-15/16, 2S	2-3/16	4-3/8	2.752	4-13/16	6-1/16	6-11/16	8-1/8	2-1/4	53/64	5/8	2-13/32	1.283	1.717	5.9
2, 2-3/16	2-7/16	4-27/32	3.000	5-5/16	6-7/8	7-3/8	9-1/8	2-3/8	29/32	5/8	2-39/64	1.433	1.906	8.3
2-1/4, 2-7/16	2-11/16	5-11/32	3.315	5-13/16	7-9/32	7-15/16	9-1/2	2-17/32	63/64	5/8	2-47/64	1.469	1.941	10.9

##### PB221UR (FOR HIGH SHAFT HEIGHTS)

SHAFT SIZE	A	B	C	D	E MIN.	E MAX.	F	G	H	J	L	M	S	WT. LBS.
1/2, 5/8	1-3/16	2-1/4	1.126	2-3/8	3-5/8	3-15/16	4-15/16	1-1/4	33/64	3/8	1-1/2	0.870	1.126	1.2
3/4	1-5/16	2-1/2	1.311	2-19/32	3-21/32	3-29/32	5	1-15/32	35/64	3/8	1-21/32	0.921	1.217	1.9
7/8, 1	1-7/16	2-3/4	1.500	2-7/8	3-29/32	4-3/8	5-1/2	1-1/2	19/32	3/8	1-43/64	0.921	1.217	2.4
1-1/8, 1-3/16, 1-1/4S	1-11/16	3-7/32	1.752	3-3/8	4-9/16	4-31/32	6-5/16	1-23/32	5/8	1/2	1-59/64	1.051	1.406	2.9
1-1/4, 1-3/8, 1-7/16	1-7/8	3-5/8	2.189	3-3/4	4-13/16	5-1/8	6-9/16	1-7/8	43/64	1/2	2-7/64	1.157	1.531	4.1
1-1/2,	2	3-15/16	2.374	4-1/8	5-1/8	5-19/32	7-3/32	2-1/16	45/64	1/2	2-5/16	1.287	1.720	4.3
1-5/8, 1-11/16, 1-3/4	2-1/8	4-5/32	2.500	4-13/32	5-1/2	5-31/32	7-7/16	2-1/8	25/32	1/2	2-11/32	1.283	1.717	4.9
1-7/8, 1-15/16, 2S	2-1/4	4-13/32	2.752	4-11/16	6-5/32	6-11/16	8-1/8	2-1/4	53/64	5/8	2-13/32	1.283	1.717	6.1
2, 2-3/16	2-1/2	4-29/32	3.000	5-3/32	6-21/32	6-7/8	8-17/32	2-3/8	55/64	5/8	2-39/64	1.433	1.906	9
2-1/4, 2-7/16	2-3/4	5-13/32	3.315	5-21/32	7-3/32	7-15/16	9-1/2	2-19/32	61/64	5/8	2-49/64	1.469	1.941	11.1

FOR LOAD RATINGS, SEE PAGE N-14

#### DURALINE REPLACEMENT INSERTS

FOR 100 AND 200 SERIES SETSCREW LOCK USE B250R, FOR 100 AND 200 SERIES ECCENTRIC LOCK USE B220R, FOR 300 SERIES SETSCREW LOCK USE B350R

DIMENSIONS SHOWN ARE FOR REFERENCE ONLY. TO ORDER, SPECIFY TYPE AND BORE SIZE. EXAMPLE: PB220UR X 1-7/16

CERTIFIED PRINTS ARE AVAILABLE UPON REQUEST

CALL: (605) 225-0360 • FAX: (605) 225-0567

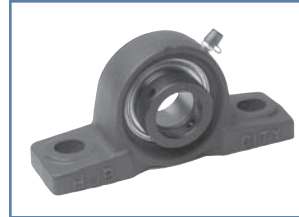


# PILLOW BLOCKS - WIDE INNER RACE

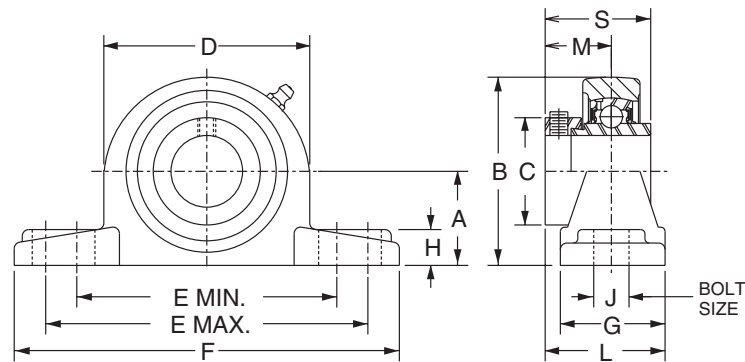
PB220DRW, PB221DRW

## FEATURES

- Ductile iron housings
- Higher strength and impact resistance for high shock loads
- Suitable to replace gray iron housed bearings
- Self-aligning replaceable bearing
- Pre-lubricated with lithium grease
- Steel retainers
- Anti-rotation pins
- Nitrile rubber seals with steel flingers
- Precision bored housings



200 SERIES 2 BOLT PILLOW BLOCK  
ECCENTRIC LOCK – WIDE INNER RING



200 SERIES - 2 BOLT PILLOW BLOCKS - DUCTILE IRON - ECCENTRIC LOCK - RELUBE TYPE - WIDE INNER RING  
PB220DRW (FOR LOW SHAFT HEIGHTS)

SHAFT SIZE	A	B	C	D	E MIN.	E MAX.	F	G	H	J	L	M	S	WT. LBS.
1/2, 5/8	1-1/16	2-1/8	1.126	2-1/4	3-3/8	3-5/8	4-3/4	1-3/8	33/64	3/8	1-39/64	0.921	1.468	1.1
3/4	1-1/4	2-1/2	1.311	2-5/8	3-3/4	3-31/32	5-1/32	1-1/2	35/64	3/8	1-51/64	1.044	1.720	1.9
7/8, 1	1-5/16	2-5/8	1.500	2-13/16	4	4-1/4	5-1/2	1-9/16	19/32	3/8	1-27/32	1.059	1.906	2.4
1-1/8, 1-3/16, 1-1/4S	1-9/16	3-1/8	1.752	3-9/32	4-9/16	4-31/32	6-5/16	1-23/32	43/64	1/2	2-1/16	1.185	1.902	3
1-1/4, 1-3/8, 1-7/16	1-13/16	3-19/32	2.189	3-27/32	4-13/16	5-3/16	6-9/16	1-7/8	45/64	1/2	2-7/32	1.272	2.012	3.9
1-1/2	1-15/16	3-27/32	2.374	4-3/16	5-5/16	5-11/16	7-1/8	2-1/16	3/4	1/2	2-13/32	1.374	2.216	4.5
1-11/16, 1-3/4	2-1/16	4-1/8	2.500	4-17/32	5-9/16	5-15/16	7-7/16	2-1/8	25/32	1/2	2-7/16	1.374	2.216	5.1
1-15/16, 2S	2-3/16	4-3/8	2.752	4-13/16	6-1/16	6-11/16	8-1/8	2-1/4	53/64	5/8	2-5/8	1.500	2.469	6.4
2, 2-3/16	2-7/16	4-27/32	3.000	5-5/16	6-7/8	7-3/8	9-1/8	2-3/8	29/32	5/8	2-29/32	1.716	2.811	8.8
2-7/16	2-11/16	5-11/32	3.315	5-13/16	7-9/32	7-15/16	9-1/2	2-17/32	63/64	5/8	3-7/64	1.843	3.063	11.4

PB221DRW (FOR HIGH SHAFT HEIGHTS)

SHAFT SIZE	A	B	C	D	E MIN.	E MAX.	F	G	H	J	L	M	S	WT. LBS.
1/2, 5/8	1-3/16	2-29/64	1.126	2-1/2	3-35/64	4-1/64	5	1-1/2	19/32	3/8	1-21/32	0.921	1.468	1.2
3/4	1-5/16	2-9/16	1.311	2-1/2	3-25/32	4-1/64	5	1-1/2	19/32	3/8	1-51/64	1.047	1.720	2
7/8, 1	1-7/16	2-3/4	1.500	2-27/32	3-29/32	4-3/8	5-1/2	1-1/2	5/8	3/8	1-13/16	1.059	1.744	2.5
1-1/8, 1-3/16, 1-1/4S	1-11/16	3-9/32	1.752	3-5/16	4-39/64	4-59/64	6-1/2	1-7/8	23/32	5/8	2-1/8	1.185	1.906	3.1
1-1/4, 1-3/8, 1-7/16	1-7/8	3-5/8	2.189	3-3/4	4-13/16	5-1/8	6-9/16	1-7/8	3/4	5/8	2-7/32	1.272	2.012	4.3
1-1/2	2	3-25/64	2.374	4-1/64	5-13/64	5-33/64	7-1/4	2-1/8	3/4	5/8	2-7/16	1.374	2.216	4.6
1-11/16, 1-3/4	2-1/8	4-3/16	2.500	4-7/32	5-19/32	5-29/32	7-31/64	2-1/8	25/32	5/8	2-7/16	1.374	2.216	5.2
1-15/16, 2S	2-1/4	4-13/32	2.752	4-37/64	6-1/16	6-11/16	8-1/8	2-3/8	55/64	3/4	2-11/16	1.500	2.469	6.6
2, 2-3/16	2-1/2	4-31/32	3.000	5	6-17/32	6-59/64	8-5/8	2-3/8	55/64	3/4	2-29/32	1.716	2.811	9.5
2-7/16	2-3/4	5-13/32	3.315	5-5/8	7-1/16	7-15/16	9-1/2	2-3/4	63/64	3/4	3-15/64	1.843	3.059	11.5

FOR LOAD RATINGS, SEE PAGE N-14

### DURALINE REPLACEMENT INSERTS

FOR 100 AND 200 SERIES SETSCREW LOCK USE B250RW, FOR 100 AND 200 SERIES ECCENTRIC LOCK USE B220RW

DIMENSIONS SHOWN ARE FOR REFERENCE ONLY. TO ORDER, SPECIFY TYPE AND BORE SIZE. EXAMPLE: PB220DRW X 1-7/16

CERTIFIED PRINTS ARE AVAILABLE UPON REQUEST



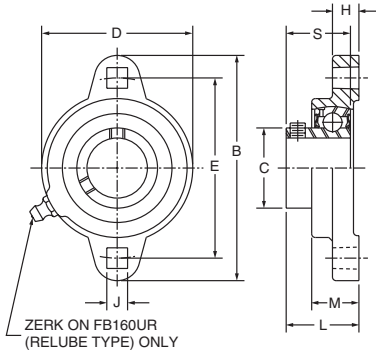
## FEATURES

- Self-aligning replaceable bearing
- Pre-lubricated with lithium grease
- Steel retainers
- Anti-rotation pins
- Nitrile rubber seals with steel trash guards
- ❖ Precision bored housings

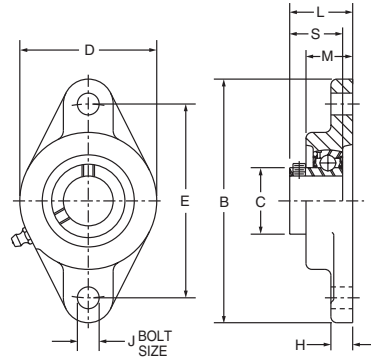
## FLANGE BLOCKS

FB110UR, FB160UR, FB260UR, FB230UR

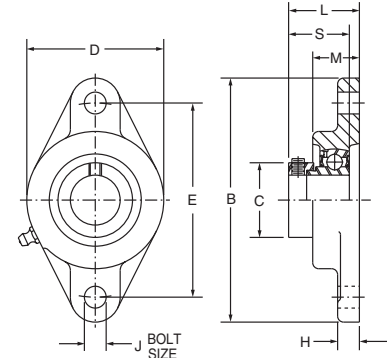
100 SERIES 2 BOLT FLANGE BLOCK SETSCREW LOCK



200 SERIES 2 BOLT FLANGE BLOCK SETSCREW LOCK



200 SERIES 2 BOLT FLANGE BLOCK ECCENTRIC LOCK



100 SERIES – 2 BOLT FLANGE BLOCKS – DUCTILE IRON – SETSCREW LOCK										
FB110UR (NON-RELUBE) & FB160UR (RELUBE)										
SHAFT SIZE	B	C	D	E	H	J	L	M	S	WT. LBS.
1/2, 5/8	3-3/16	0.921	2-7/32	2-1/2	23/64	11/32	63/64	45/64	0.866	0.6
3/4	3-19/32	1.142	2-1/2	2-13/16	13/32	11/32	1-7/64	25/32	0.984	0.8
7/8, 1	3-25/32	1.339	2-23/32	3	13/32	11/32	1-3/16	3/4	1.063	0.8
1-1/8, 1-3/16, 1-1/4S	4-7/16	1.587	3-1/8	3-9/16	29/64	13/32	1-5/16	55/64	1.181	1.1
1-1/4, 1-3/8, 1-7/16	4-13/16	1.890	3-1/2	3-15/16	1/2	13/32	1-27/64	15/16	1.260	1.5

200 SERIES – 2 BOLT FLANGE BLOCKS – CAST IRON – SETSCREW LOCK										
FB260UR										
SHAFT SIZE	B	C	D	E	H	J	L	M	S	WT. LBS.
1/2, 5/8	3-29/32	0.921	2-1/4	3	7/16	3/8	1-7/32	1	0.866	0.8
3/4	4-7/16	1.142	2-3/8	3-17/32	7/16	3/8	1-19/64	1	0.984	1
7/8, 1	5-1/8	1.339	2-11/16	3-57/64	33/64	7/16	1-13/32	1-1/16	1.063	1.4
1-1/8, 1-3/16, 1-1/4S	5-13/16	1.587	3-5/32	4-19/32	33/64	7/16	1-37/64	1-7/32	1.181	1.9
1-1/4, 1-3/8, 1-7/16	6-11/32	1.890	3-17/32	5-1/8	35/64	1/2	1-43/64	1-11/32	1.260	2.9
1-1/2	6-7/8	2.087	3-15/16	5-21/32	35/64	1/2	1-13/16	1-27/64	1.339	3.9
1-5/8, 1-11/16, 1-3/4	7-13/32	2.252	4-1/4	5-53/64	5/8	1/2	2-3/32	1-1/2	1.622	4.5
1-7/8, 1-15/16, 2S	7-3/4	2.433	4-17/32	6-3/16	5/8	1/2	2-5/32	1-37/64	1.713	4.9
2, 2-3/16	8-13/16	2.717	5-1/8	7-1/4	45/64	5/8	2-5/16	1-11/16	1.783	6.5

200 SERIES – 2 BOLT FLANGE BLOCKS – CAST IRON – ECCENTRIC LOCK										
FB230UR										
SHAFT SIZE	B	C	D	E	H	J	L	M	S	WT. LBS.
1/2, 5/8	3-29/32	1.126	2-1/4	3	7/16	3/8	1-15/32	1	1.126	1
3/4	4-7/16	1.311	2-3/8	3-17/32	7/16	3/8	1-33/64	1	1.217	1.3
7/8, 1	5-1/8	1.500	2-11/16	3-57/64	33/64	7/16	1-35/64	1-1/16	1.217	1.9
1-1/8, 1-3/16, 1-1/4S	5-13/16	1.752	3-5/32	4-19/32	33/64	7/16	1-49/64	1-7/32	1.406	2.7
1-1/4, 1-3/8, 1-7/16	6-11/32	2.189	3-17/32	5-1/8	35/64	1/2	1-29/32	1-11/32	1.531	3.1
1-1/2	6-7/8	2.374	3-15/16	5-21/32	35/64	1/2	2-1/8	1-27/64	1.720	3.6
1-5/8, 1-11/16, 1-3/4	7-13/32	2.500	4-1/4	5-53/64	5/8	1/2	2-5/32	1-1/2	1.717	4.3
1-7/8, 1-15/16, 2S	7-3/4	2.752	4-17/32	6-3/16	5/8	1/2	2-5/32	1-37/64	1.717	5.3
2, 2-3/16	8-13/16	3.000	5-1/8	7-1/4	45/64	5/8	2-27/64	1-11/16	1.906	7.6

FOR LOAD RATINGS, SEE PAGE N-14

**DURALINE REPLACEMENT INSERTS**

FOR 100 AND 200 SERIES SETSCREW LOCK USE B250R, FOR 100 AND 200 SERIES ECCENTRIC LOCK USE B220R, FOR 300 SERIES SETSCREW LOCK USE B350R

CERTIFIED PRINTS ARE AVAILABLE UPON REQUEST

DIMENSIONS SHOWN ARE FOR REFERENCE ONLY. TO ORDER, SPECIFY TYPE AND BORE SIZE. EXAMPLE: FB260UR X 1-7/16

CALL: (605) 225-0360 • FAX: (605) 225-0567







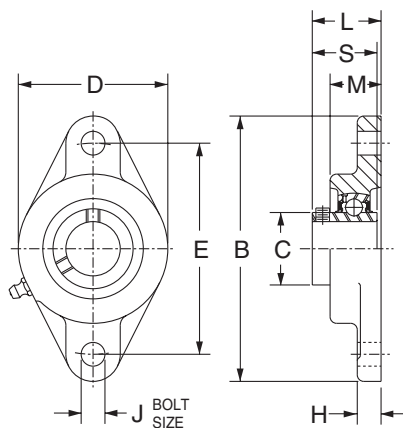
# FLANGE BLOCKS - WIDE INNER RACE

FB260DRW, FB230DRW

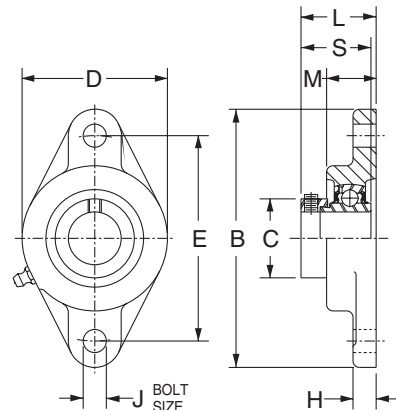
## FEATURES

- Ductile iron housings
- Higher strength and impact resistance for high shock loads
- Suitable to replace gray iron housed bearings
- Self-aligning replaceable bearing
- Pre-lubricated with lithium grease
- Steel retainers
- Anti-rotation pins
- Nitrile rubber seals with steel flingers
- Precision bored housings

200 SERIES 2 BOLT FLANGE BLOCK SETSCREW LOCK – WIDE INNER RING



200 SERIES 2 BOLT FLANGE BLOCK ECCENTRIC LOCK – WIDE INNER RING



200 SERIES - 2 BOLT FLANGE BLOCKS - DUCTILE - SETSCREW LOCK - WIDE INNER RING										
FB260DRW										
SHAFT SIZE	B	C	D	E	H	J	L	M	S	WT. LBS.
1/2, 5/8	3-29/32	0.969	2-1/4	3	7/16	3/8	1-7/32	1	1.079	0.8
3/4	4-7/16	1.142	2-13/32	3-17/32	19/32	3/8	1-15/32	1-5/32	1.220	1.1
7/8, 1	4-27/32	1.339	2-3/4	3-57/64	19/32	7/16	1-17/32	1-3/16	1.339	1.5
1-1/8, 1-3/16, 1-1/4S	5-19/32	1.587	3-7/32	4-19/32	5/8	7/16	1-21/32	1-9/32	1.500	2.1
1-1/4, 1-3/8, 1-7/16	6-7/32	1.843	3-11/16	5-1/8	43/64	1/2	1-27/32	1-7/16	1.689	3.1
1-1/2	6-25/32	2.063	4-1/16	5-21/32	43/64	1/2	2-1/8	1-17/32	1.937	4.2
1-11/16, 1-3/4	7-3/32	2.260	4-1/4	5-53/64	23/32	1/2	2-1/8	1-9/16	1.937	4.8
1-15/16, 2S	7-1/2	2.433	4-1/2	6-3/16	25/32	1/2	2-25/64	1-25/32	2.031	5.2
2, 2-3/16	8-9/16	2.705	5-1/32	7-1/4	53/64	5/8	2-17/32	1-15/16	2.189	7
2-7/16	9-15/16	2.949	5-7/16	7-61/64	53/64	5/8	2-57/64	2-5/64	2-9/16	10



200 SERIES - 2 BOLT FLANGE BLOCKS - DUCTILE - ECCENTRIC LOCK - WIDE INNER RING										
FB230DRW										
SHAFT SIZE	B	C	D	E	H	J	L	M	S	WT. LBS.
1/2, 5/8	3-29/32	1.126	2-1/4	3	7/16	3/8	1-33/64	1	1.469	1
3/4	4-7/16	1.311	2-13/32	3-17/32	19/32	3/8	1-51/64	1-5/32	1.720	1.4
7/8, 1	4-27/32	1.500	2-3/4	3-57/64	19/32	7/16	1-13/16	1-3/16	1.744	2
1-1/8, 1-3/16, 1-1/4S	5-19/32	1.752	3-7/32	4-19/32	5/8	7/16	1-31/32	1-9/32	1.906	2.9
1-1/4, 1-3/8, 1-7/16	6-7/32	2.189	3-11/16	5-1/8	43/64	1/2	2-3/32	1-7/16	2.012	3.3
1-1/2	6-25/32	2.374	4-1/16	5-21/32	43/64	1/2	2-5/16	1-17/32	2.217	3.9
1-11/16, 1-3/4	7-3/32	2.500	4-1/4	5-53/64	23/32	1/2	2-5/16	1-9/16	2.217	4.6
1-15/16, 2S	7-1/2	2.752	4-1/2	6-3/16	25/32	1/2	2-39/64	1-25/32	2.469	5.8
2, 2-3/16	8-9/16	3.000	5-1/32	7-1/4	53/64	5/8	2-15/16	1-15/16	2.811	8.1



**DURALINE REPLACEMENT INSERTS**

FOR 100 AND 200 SERIES SETSCREW LOCK USE B250RW, FOR 100 AND 200 SERIES ECCENTRIC LOCK USE B220RW

DIMENSIONS SHOWN ARE FOR REFERENCE ONLY.

TO ORDER, SPECIFY TYPE AND BORE SIZE.

EXAMPLE: FB260URW X 1-7/16

CERTIFIED PRINTS ARE AVAILABLE UPON REQUEST

FOR LOAD RATINGS, SEE PAGE N-14



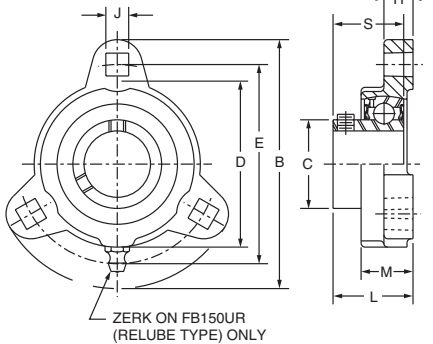


**FEATURES**

- Self-aligning replaceable bearing
- Pre-lubricated with lithium grease
- Steel retainers
- Anti-rotation pins
- Nitrile rubber seals with steel trash guards
- Precision bored housings

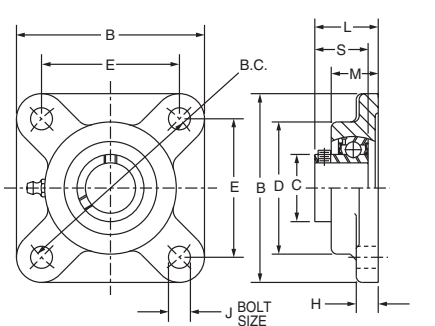
**FLANGE BLOCKS**  
**FB100UR, FB150UR, FB250UR, FB220UR**

**100 SERIES 3 BOLT FLANGE BLOCK SETSCREW LOCK**

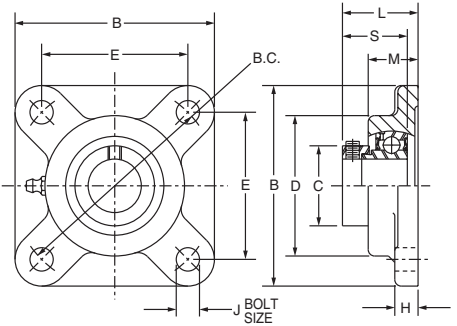


ZERK ON FB150UR (RELUBE TYPE) ONLY

**200 SERIES 4 BOLT FLANGE BLOCK SETSCREW LOCK**



**200 SERIES 4 BOLT FLANGE BLOCK ECCENTRIC LOCK**



<b>100 SERIES – 3 BOLT FLANGE BLOCKS – DUCTILE IRON – SETSCREW LOCK</b>										
<b>FB100UR (NON-RELUBE) &amp; FB150UR (RELUBE)</b>										
SHAFT SIZE	B	C	D	E	H	J	L	M	S	WT. LBS.
1/2, 5/8	3-3/16	0.921	1-15/16	2-1/2	27/64	9/32	1-3/64	3/4	0.866	0.6
3/4	3-9/16	1.142	2-1/4	2-13/16	7/16	11/32	1-9/64	25/32	0.984	0.8
7/8, 1	3-3/4	1.339	2-3/4	3	13/32	11/32	1-11/64	25/32	1.063	0.8
1-1/8, 1-3/16, 1-1/4S	4-7/16	1.587	3-1/32	3-9/16	15/32	13/32	1-11/32	55/64	1.181	1.1
1-1/4, 1-3/8, 1-7/16	4-13/16	1.890	3-1/2	3-15/16	1/2	13/32	1-27/64	15/16	1.260	1.7

<b>200 SERIES – 4 BOLT FLANGE BLOCKS – CAST IRON – SETSCREW LOCK</b>											
<b>FB250UR</b>											
SHAFT SIZE	B	B.C.	C	D	E	H	J	L	M	S	WT. LBS.
1/2, 5/8	3	3	0.921	2-3/32	2-1/8	7/16	3/8	1-7/32	1	0.866	1.0
3/4	3-3/8	3-5/8	1.142	2-3/8	2-1/2	7/16	3/8	1-19/64	1	0.984	1.4
7/8, 1	3-3/4	3-57/64	1.339	2-13/16	2-3/4	1/2	7/16	1-25/64	1-1/16	1.063	1.8
1-1/8, 1-3/16, 1-1/4S	4-1/4	4-19/32	1.587	3-3/16	3-1/4	1/2	7/16	1-37/64	1-7/32	1.181	2.6
1-1/4, 1-3/8, 1-7/16	4-5/8	5-1/8	1.890	3-5/8	3-5/8	19/32	1/2	1-43/64	1-11/32	1.260	4.2
1-1/2	5-1/8	5-43/64	2.087	4-3/32	4	19/32	1/2	1-13/16	1-27/64	1.339	5.3
1-5/8, 1-11/16, 1-3/4	5-3/8	5-27/32	2.252	4-1/4	4-1/8	5/8	1/2	2-3/32	1-1/2	1.622	5.7
1-7/8, 1-15/16, 2S	5-5/8	6-3/16	2.433	4-1/2	4-3/8	5/8	1/2	2-5/32	1-37/64	1.713	6.6
2, 2-3/16	6-3/8	7-1/4	2.717	4-15/16	5-1/8	23/32	5/8	2-5/16	1-11/16	1.783	9.0
2-1/4, 2-7/16	6-29/32	7-31/32	2.949	5-5/16	5-5/8	23/32	5/8	2-43/64	1-57/64	2.114	11.9

<b>200 SERIES – 4 BOLT FLANGE BLOCKS – CAST IRON – ECCENTRIC LOCK</b>											
<b>FB220UR</b>											
SHAFT SIZE	B	B.C.	C	D	E	H	J	L	M	S	WT. LBS.
1/2, 5/8	3	3	1.126	2-3/32	2-1/8	7/16	3/8	1-15/32	1	1.126	1.0
3/4	3-3/8	3-17/32	1.311	2-3/8	2-1/2	7/16	3/8	1-1/2	1	1.217	1.4
7/8, 1	3-3/4	3-57/64	1.500	2-13/16	2-3/4	1/2	7/16	1-35/64	1-1/16	1.217	1.8
1-1/8, 1-3/16, 1-1/4S	4-1/4	4-19/32	1.752	3-3/16	3-1/4	1/2	7/16	1-49/64	1-7/32	1.406	2.6
1-1/4, 1-3/8, 1-7/16	4-5/8	5-1/8	2.189	3-5/8	3-5/8	19/32	1/2	1-29/32	1-11/32	1.531	4.3
1-1/2	5-1/8	5-21/32	2.374	4-3/32	4	19/32	1/2	2-1/8	1-27/64	1.720	5.3
1-5/8, 1-11/16, 1-3/4	5-3/8	5-53/64	2.500	4-1/4	4-1/8	5/8	1/2	2-5/32	1-1/2	1.717	5.6
1-7/8, 1-15/16, 2S	5-5/8	6-3/16	2.752	4-1/2	4-3/8	5/8	1/2	2-5/32	1-37/64	1.717	6.5
2, 2-3/16	6-3/8	7-1/4	3.000	4-15/16	5-1/8	23/32	5/8	2-13/32	1-11/16	1.906	9.1
2-1/4, 2-7/16	6-7/8	7-15/16	3.315	5-5/16	5-5/8	23/32	5/8	2-39/64	1-57/64	1.941	11.9

**DURALINE REPLACEMENT INSERTS**  
 FOR 100 AND 200 SERIES SETSCREW LOCK USE B250R, FOR 100 AND 200 SERIES ECCENTRIC LOCK USE B220R, FOR 300 SERIES SETSCREW LOCK USE B350R

FOR LOAD RATINGS, SEE PAGE N-14

DIMENSIONS SHOWN ARE FOR REFERENCE ONLY. TO ORDER, SPECIFY TYPE AND BORE SIZE. EXAMPLE: FB250UR X 1-7/16

CERTIFIED PRINTS ARE AVAILABLE UPON REQUEST

CALL: (605) 225-0360 • FAX: (605) 225-0567





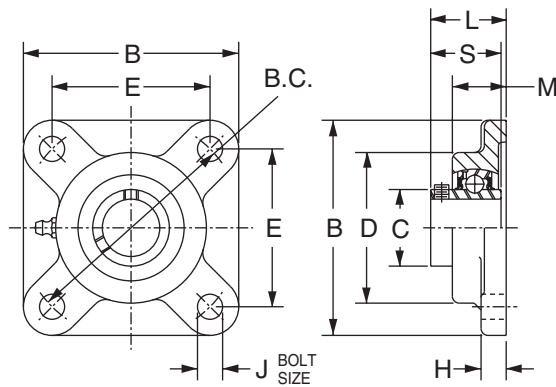
# FLANGE BLOCKS - WIDE INNER RACE

FB250DRW, FB220DRW

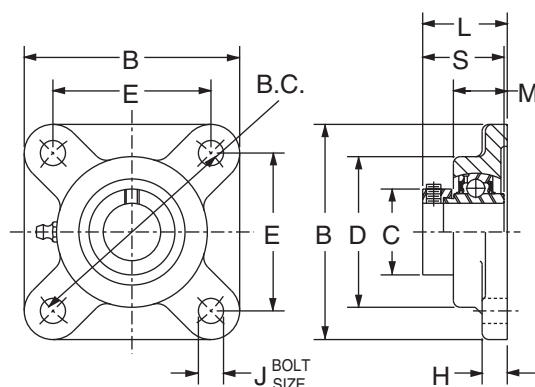
## FEATURES

- Ductile iron housings
- Higher strength and impact resistance for high shock loads
- Suitable to replace gray iron housed bearings
- Self-aligning replaceable bearing
- Pre-lubricated with lithium grease
- Steel retainers
- Anti-rotation pins
- Nitrile rubber seals with steel flingers
- Precision bored housings

200 SERIES 4 BOLT FLANGE BLOCK  
SETSCREW LOCK – WIDE INNER RING



200 SERIES 4 BOLT FLANGE BLOCK  
ECCENTRIC LOCK – WIDE INNER RING



200 SERIES - 4 BOLT FLANGE BLOCKS - DUCTILE IRON - SETSCREW LOCK - WIDE INNER RING											
FB250DRW											
SHAFT SIZE	B	B.C.	C	D	E	H	J	L	M	S	WT. LBS.
1/2, 5/8	3	3	0.969	2-3/32	2-1/8	7/16	3/8	1-7/32	31/32	1.079	1.0
3/4	3-3/8	3-5/8	1.142	2-3/8	2-1/2	19/32	3/8	1-15/32	1-5/32	1.220	1.5
7/8, 1	3-21/32	3-57/64	1.339	2-3/4	2-3/4	19/32	7/16	1-17/32	1-3/16	1.339	1.9
1-1/8, 1-3/16, 1-1/4S	4-3/16	4-19/32	1.587	3-3/16	3-1/4	5/8	7/16	1-21/32	1-9/32	1.500	2.8
1-1/4, 1-3/8, 1-7/16	4-9/16	5-1/8	1.843	3-9/16	3-5/8	11/16	1/2	1-27/32	1-3/8	1.689	4.4
1-1/2	5-3/32	5-43/64	2.063	4-1/32	4	11/16	1/2	2-1/8	1-17/32	1.937	5.6
1-11/16, 1-3/4	5-5/16	5-27/32	2.260	4-1/4	4-1/8	23/32	1/2	2-1/8	1-9/16	1.937	6.0
1-15/16, 2S	5-5/8	6-3/16	2.433	4-1/2	4-3/8	25/32	1/2	2-25/64	1-25/32	2.031	7.1
2, 2-3/16	6-3/8	7-1/4	2.705	5	5-1/8	27/32	5/8	2-17/32	1-15/16	2.189	9.5
2-7/16	6-7/8	7-31/32	2.992	5-13/32	5-5/8	7/8	5/8	2-29/32	2-1/8	2.563	12.4
2-15/16	7-7/8	8-31/64	3.602	6-9/64	6	15/16	3/4	3-3/8	2-7/16	3.062	16.6



200 SERIES - 4 BOLT FLANGE BLOCKS - DUCTILE IRON - ECCENTRIC LOCK - WIDE INNER RING											
FB220DRW											
SHAFT SIZE	B	B.C.	C	D	E	H	J	L	M	S	WT. LBS.
1/2, 5/8	3	3	1.126	2-3/32	2-1/8	7/16	3/8	1-33/64	31/32	1.469	1.5
3/4	3-3/8	3-17/32	1.311	2-3/8	2-1/2	19/32	3/8	1-51/64	1-5/32	1.720	1.7
7/8, 1	3-21/32	3-57/64	1.500	2-3/4	2-3/4	19/32	7/16	1-13/16	1-3/16	1.744	2.1
1-1/8, 1-3/16, 1-1/4S	4-3/16	4-19/32	1.752	3-3/16	3-1/4	5/8	7/16	1-31/32	1-9/32	1.906	2.9
1-1/4, 1-3/8, 1-7/16	4-9/16	5-1/8	2.189	3-9/16	3-5/8	11/16	1/2	2-3/32	1-3/8	2.012	3.9
1-1/2	5-3/32	5-21/32	2.374	4-1/32	4	11/16	1/2	2-5/16	1-17/32	2.217	4.9
1-11/16, 1-3/4	5-5/16	5-53/64	2.500	4-1/4	4-1/8	23/32	1/2	2-5/16	1-9/16	2.217	5.8
1-15/16, 2S	5-5/8	6-3/16	2.752	4-1/2	4-3/8	25/32	1/2	2-39/64	1-25/32	2.469	6.5
2, 2-3/16	6-3/8	7-1/4	3.000	5	5-1/8	27/32	5/8	2-15/16	1-15/16	2.811	9.0
2-7/16	6-7/8	7-15/16	3.315	5-13/32	5-5/8	7/8	5/8	3-3/16	2-1/8	3.063	10.7



**DURALINE REPLACEMENT INSERTS**  
 FOR 100 AND 200 SERIES SETSCREW LOCK USE B250RW,  
 FOR 100 AND 200 SERIES ECCENTRIC LOCK USE B220RW

FOR LOAD RATINGS, SEE PAGE N-14

CERTIFIED PRINTS ARE AVAILABLE UPON REQUEST

DIMENSIONS SHOWN ARE FOR REFERENCE ONLY. TO ORDER, SPECIFY TYPE AND BORE SIZE. EXAMPLE: FB250DRW X 1-7/16



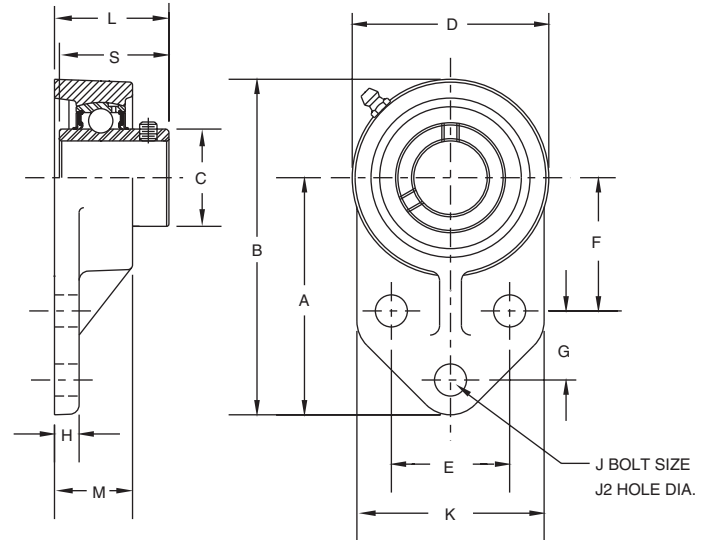
# THREE-BOLT FLANGE BRACKET BEARINGS

## FR250URW

### FEATURES

- Reliable Performance
- Economical Durability
- Cast Iron Housings
- Wide Inner Race
- Self Aligning Replaceable Bearing
- Setscrew Lock Inserts
- Pre-lubricated with Lithium Grease
- Steel Retainers
- Anti-rotation pins
- Nitrile Rubber Seals with Steel Flingers
- Precision Bored Housings

FR250URW DURALINE  
3-BOLT FLANGE BRACKET



200 SERIES - 3 BOLT FLANGE BRACKETS - CAST IRON - SETSCREW LOCK - WIDE INNER RING								
FR250URW								
SHAFT SIZE	A	B	C	D	E	F	G	H
3/4	3	4-1/4	1.142	2-1/2	1-1/2	1-11/16	7/8	5/16
7/8, 1	3-3/8	4-3/4	1.339	2-3/4	1-5/8	1-13/16	1-1/8	3/8
1-3/16, 1-1/4S	3-3/4	5-3/8	1.587	3-1/4	1-7/8	2-1/16	1-1/4	3/8
1-1/4, 1-3/8, 1-7/16	4-1/4	6-1/8	1.890	3-3/4	2	2-3/8	1-1/4	1/2
1-15/16, 2S	5-3/16	7-1/2	2.433	4-5/8	2-3/4	2-15/16	1-5/8	1/2



200 SERIES - 3 BOLT FLANGE BRACKETS - CAST IRON - SETSCREW LOCK - WIDE INNER RING							
FR250URW							
SHAFT SIZE	J	J2	K	L	M	S	WT. LBS.
3/4	3/8	13/32	2-3/8	1-11/32	1	1.220	1.5
7/8, 1	3/8	13/32	2-1/2	1-7/16	1-3/32	1.339	1.9
1-3/16, 1-1/4S	3/8	13/32	2-3/4	1-5/8	1-7/32	1.500	2.2
1-1/4, 1-3/8, 1-7/16	1/2	17/32	3-1/4	1-13/16	1-3/8	1.689	3.6
1-15/16, 2S	1/2	17/32	4	2-3/32	1-7/16	2.031	5.7



**DURALINE REPLACEMENT INSERTS**  
FOR 100 AND 200 SERIES SETSCREW LOCK USE B250RW, FOR 100 AND 200 SERIES ECCENTRIC LOCK USE B220RW

FOR LOAD RATINGS, SEE PAGE N-14

DIMENSIONS SHOWN ARE FOR REFERENCE ONLY.  
TO ORDER, SPECIFY TYPE AND BORE SIZE.  
EXAMPLE: FR250URW X 1-7/16

CERTIFIED PRINTS ARE AVAILABLE UPON REQUEST

CALL: (605) 225-0360 • FAX: (605) 225-0567



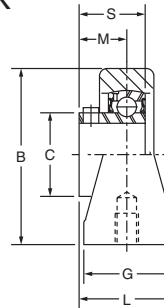
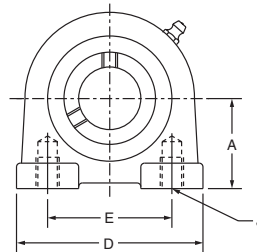
## TAPPED BASE

### TPB250UR

#### FEATURES

- Self-aligning replaceable bearing
- Pre-lubricated with lithium grease
- Steel retainers
- Anti-rotation pins
- Nitrile rubber seals with steel trash guards
- Precision bored housings

#### 200 SERIES PILLOW BLOCK SETSCREW LOCK



200 SERIES – TAPPED BASE PILLOW BLOCKS – CAST IRON – SETSCREW LOCK – RELUBE TYPE											
TPB250UR											
SHAFT SIZE	A	B	C	D	E	G	J - TAPPED HOLES	L	M	S	WT. LBS.
1/2, 5/8	1-5/16	2-9/16	0.921	2-7/8	2	1-1/2	3/8-16NC X 1/2	1-3/8	0.630	0.866	0.8
3/4	1-5/16	2-9/16	1.142	2-7/8	2	1-1/2	3/8-16NC X 1/2	1-15/32	0.709	0.984	0.9
7/8, 1	1-7/16	2-13/16	1.339	3	2	1-1/2	3/8-16NC X 1/2	1-17/32	0.768	1.063	1.4
1-1/8, 1-3/16, 1-1/4S	1-11/16	3-3/8	1.587	4	3	1-1/2	7/16-16NC X 5/8	1-5/8	0.866	1.181	2
1-1/4, 1-3/8, 1-7/16	1-7/8	3-3/4	1.890	4-1/4	3-1/4	1-7/8	1/2-13NC X 3/4	1-7/8	0.925	1.260	2.6
1-1/2	1-15/16	3-15/16	2.087	4-5/8	3-1/2	1-7/8	1/2-13NC X 3/4	1-15/16	0.984	1.339	3.5
1-5/8, 1-11/16, 1-3/4	2-1/8	4-1/4	2.252	5	3-3/4	2	1/2-13NC X 3/4	2-7/32	1.220	1.622	4.9
1-7/8, 1-15/16, 2S	2-1/4	4-5/8	2.433	5-1/2	4	2	5/8-11NC X 1	2-9/32	1.283	1.713	5.1
2, 2-3/16	2-1/4	4-5/8	2.720	5-1/2	4	2	5/8-11NC X 1	2-5/16	1.319	1.783	5.2

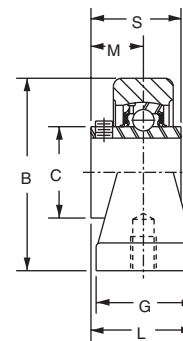
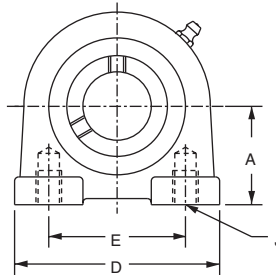
## TAPPED BASE - WIDE INNER RACE

### TPB250DRW

#### FEATURES

- Ductile iron housings
- Higher strength and impact resistance for high shock loads
- Suitable to replace gray iron housed bearings
- Self-aligning replaceable bearing
- Pre-lubricated with lithium grease
- Steel retainers
- Anti-rotation pins
- Nitrile rubber seals with steel flingers
- Precision bored housings

#### 200 SERIES PILLOW BLOCK SETSCREW LOCK – WIDE INNER RING



200 SERIES - TAPPED BASE PILLOW BLOCKS - DUCTILE - SETSCREW LOCK - RELUBE TYPE - WIDE INNER RING											
TPB250DRW											
SHAFT SIZE	A	B	C	D	E	G	J - TAPPED HOLES	L	M	S	WT. LBS.
1/2, 5/8	1-5/16	2-9/16	0.969	2-7/8	2	1-1/2	3/8-16NC X 1/2	1-3/8	0.626	1.079	0.8
3/4	1-5/16	2-9/16	1.142	2-7/8	2	1-1/2	3/8-16NC X 1/2	1-15/32	0.720	1.220	1
7/8, 1	1-7/16	2-27/32	1.339	3	2	1-1/2	3/8-16NC X 1/2	1-17/32	0.776	1.339	1.5
1-1/8, 1-3/16, 1-1/4S	1-11/16	3-3/8	1.587	4	3	1-1/2	7/16-16NC X 5/8	1-5/8	0.874	1.500	2.2
1-1/4, 1-3/8, 1-7/16	1-7/8	3-3/4	1.843	4-1/4	3-1/4	1-7/8	1/2-13NC X 3/4	1-15/16	1.000	1.689	2.8
1-1/2	1-15/16	3-15/16	2.063	4-5/8	3-1/2	1-7/8	1/2-13NC X 3/4	2-1/8	1.189	1.937	3.8
1-11/16, 1-3/4	2-1/8	4-1/4	2.260	5	3-3/4	2	1/2-13NC X 3/4	2-3/16	1.189	1.937	5.2
1-15/16, 2S	2-1/4	4-5/8	2.433	5-1/2	4	2	5/8-11NC X 1	2-9/32	1.283	2.031	5.6
2, 2-3/16	2-1/4	4-5/8	2.705	5-1/2	4	2	5/8-11NC X 1	2-5/16	1.315	2.189	5.7

FOR LOAD RATINGS, SEE PAGE N-14

CERTIFIED PRINTS ARE AVAILABLE UPON REQUEST



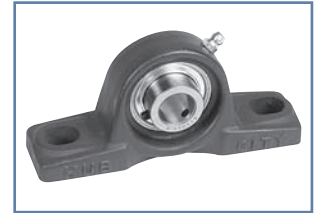
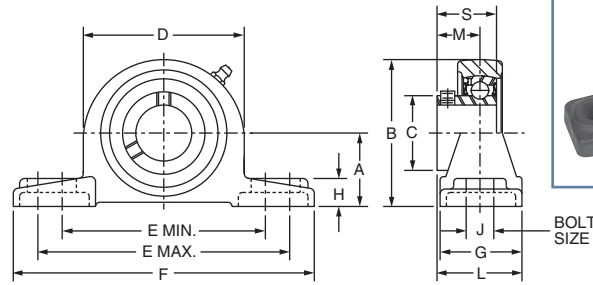
**PILLOW BLOCK - PB350UR**

**MEDIUM DUTY**

**FEATURES**

- Self-aligning replaceable bearing
- Pre-lubricated with lithium grease
- Steel retainers
- Anti-rotation pins
- Nitrile rubber seals with steel trash guards
- Precision bored housings

300 SERIES PILLOW BLOCK



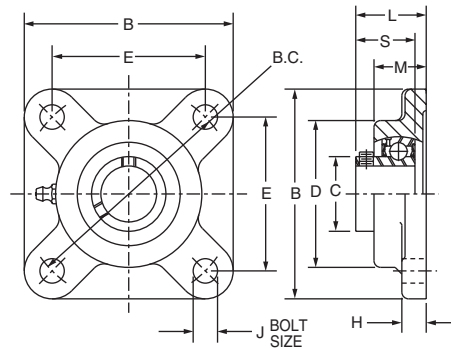
300 SERIES – PILLOW BLOCKS AND FLANGE BLOCKS – CAST IRON – SETSCREW LOCK														
PB350UR														
SHAFT SIZE	A	B	C	D	E MIN.	E MAX.	F	G	H	J	L	M	S	WT. LBS.
1	1-11/16	3-9/32	1.587	3-3/8	4-9/16	4-13/16	6-1/4	2	5/8	1/2	1-7/8	0.866	1.220	3.3
1-7/16	2-1/8	4-1/8	2.087	4-7/32	5-9/16	5-25/32	8	2-3/16	53/64	1/2	2-7/32	1.122	1.575	4.9
1-1/2	2-5/16	4-13/32	2.252	4-13/32	6-1/32	6-1/4	8-3/4	2-9/16	29/32	5/8	2-31/64	1.201	1.634	5.6
1-3/4	2-5/16	4-9/16	2.433	4-21/32	6-1/32	6-1/4	8-3/4	2-5/8	63/64	5/8	2-37/64	1.260	1.693	6.7
1-15/16, 2	2-1/2	4-31/32	2.717	5-1/8	6-5/8	6-27/32	9-7/16	2-25/32	61/64	5/8	2-43/64	1.280	1.772	8.5
2-3/16	2-3/4	5-13/32	2.949	5-7/16	7-1/8	7-3/8	10-1/4	3-1/8	1-9/64	3/4	2-15/16	1.378	1.909	11.3
2-7/16, 2-1/2	3	6	3.406	6-3/32	7-7/8	8-1/8	11-1/4	3-9/32	1-19/64	3/4	3-3/32	1.457	2.008	15.2
2-11/16	3-1/2	6-11/16	3.602	6-9/16	8-29/32	9-1/8	12-19/32	3-11/32	1-11/32	7/8	3-11/64	1.496	2.106	17.9
2-15/16, 3	3-1/2	6-29/32	3.858	6-31/32	8-29/32	9-1/8	13	3-5/8	1-3/8	7/8	3-11/32	1.535	2.185	19.1
3-7/16, 3-1/2	4	7-5/8	4.370	7-9/16	11-1/32	11-1/4	14-7/8	3-29/32	1-29/64	7/8	3-17/32	1.575	2.244	28.4



**FLANGE BLOCK - FB350UR**

- Self-aligning replaceable bearing
- Pre-lubricated with lithium grease
- Steel retainers
- Anti-rotation pins
- Nitrile rubber seals with steel trash guards
- Precision bored housings

300 SERIES FLANGE BLOCK



FB350UR											
SHAFT SIZE	B	B.C.	C	D	E	H	J	L	M	S	WT. LBS.
1	4-1/4	4-19/32	1.587	3-3/16	3-1/4	1/2	7/16	1-37/64	1-7/32	1.220	3.0
1-7/16	5-1/8	5-21/32	2.087	4-3/32	4	19/32	1/2	1-61/64	1-27/64	1.575	5.4
1-1/2	5-3/8	5-53/64	2.252	4-1/4	4-1/8	5/8	1/2	2-1/16	1-1/2	1.634	5.8
1-3/4	5-5/8	6-3/16	2.433	4-7/16	4-3/8	5/8	1/2	2-1/8	1-37/64	1.693	7.0
1-15/16, 2	6-3/8	7-1/4	2.717	4-15/16	5-1/8	23/32	5/8	2-17/64	1-11/16	1.772	9.2
2-3/16	6-29/32	7-15/16	2.949	5-5/16	5-5/8	23/32	5/8	2-33/64	1-57/64	1.909	12.1
2-7/16, 2-1/2	7-3/8	8-5/16	3.406	6-3/32	5-7/8	13/16	5/8	2-51/64	2-21/64	2.008	15.4
2-11/16	7-3/4	8-31/64	3.602	6-3/8	6	15/16	3/4	3	2-23/64	2.106	18.3
2-15/16, 3	7-3/4	8-31/64	3.858	6-25/32	6	15/16	3/4	3-7/64	2-11/16	2.185	19.0
3-7/16, 3-1/2	8-7/16	9-35/64	4.370	7-11/16	6-3/4	15/16	3/4	3-5/32	2-3/4	2.244	22.2

**DURALINE REPLACEMENT INSERTS**  
 FOR 100 AND 200 SERIES SETSCREW LOCK  
 USE B250R, FOR 100 AND 200 SERIES  
 ECCENTRIC LOCK USE B220R, FOR 300  
 SERIES SETSCREW LOCK USE B350R

FOR LOAD RATINGS, SEE PAGE N-14

DIMENSIONS SHOWN ARE FOR REFERENCE ONLY.  
 TO ORDER, SPECIFY TYPE AND BORE SIZE.  
 EXAMPLE: PB350UR X 1-7/16

CERTIFIED PRINTS ARE AVAILABLE UPON REQUEST

CALL: (605) 225-0360 • FAX: (605) 225-0567



## LOAD RATINGS

<b>BEARING RADIAL LOAD CAPACITY (POUNDS) FOR 500 HOURS L-10 LIFE (2500 HOURS AVERAGE LIFE) AND STEADY LOAD CONDITIONS</b>											
<b>SHAFT SIZE (INCHES)</b>		<b>BASIC DYNAMIC RATING, C* (POUNDS)</b>	<b>BASIC STATIC RATING, Co** (POUNDS)</b>	<b>BEARING SPEED (RPM)</b>							
<b>100, 200 SERIES</b>	<b>300 SERIES</b>			<b>100</b>	<b>500</b>	<b>1,000</b>	<b>1,500</b>	<b>2,000</b>	<b>2,500</b>	<b>3,000</b>	<b>3,500</b>
1/2 to 5/8		2150	1070	1,490	870	690	600	550	510	480	460
3/4		2880	1490	2,000	1,170	930	810	740	680	640	610
7/8 to 1		3150	1770	2,180	1,280	1010	890	800	750	700	670
1-1/8 to 1-1/4S	1	4380	2520	3,040	1,780	1410	1230	1120	1040	980	930
1-1/4 to 1-7/16		5780	3420	4,010	2,340	1860	1620	1480	1370	1290	
1-1/2	1-7/16	6650	4090	4,610	2,700	2140	1870	1700	1580	1480	
1-5/8 to 1-3/4	1-1/2	7160	4680	4,960	2,900	2300	2010	1830	1700		
1-7/8 to 2S	1-5/8 to 1-3/4	7890	5220	5,470	3,200	2540	2220	2020	1870		
2 to 2-3/16	1-15/16 to 2	9790	6560	6,790	3,970	3150	2750	2500			
2-1/4 to 2-7/16	2-3/16	10750	7370	7,450	4,360	3460	3020	2750			
	2-7/16 to 2-1/2	13670	10120	9,480	5,540	4400	3840				
	2-11/16	14840	11130	10,290	6,020	4780	4170				
	2-15/16 to 3	16070	12180	11,140	6,520	5170	4520				
2-15/16	3-7/16 to 3-1/2	21560	16070	14,950	8,740	6940	6060				

**TO MODIFY THE ABOVE RATINGS  
FOR OTHER L-10 LIFE REQUIREMENTS OR FOR SHOCK LOADS  
MULTIPLY THE ABOVE RATINGS BY THE FACTOR FROM THIS CHART**

**MODIFICATION FACTORS FOR L-10 SERVICE LIFE AND LOAD CONDITIONS:**

<b>LOAD CONDITIONS</b>	<b>L-10 LIFE (HOURS)</b>													
	<b>500</b>	<b>700</b>	<b>1,000</b>	<b>1,500</b>	<b>2,000</b>	<b>3,000</b>	<b>4,000</b>	<b>5,000</b>	<b>7,000</b>	<b>10,000</b>	<b>15,000</b>	<b>20,000</b>	<b>30,000</b>	<b>50,000</b>
Steady Load	1.00	.894	.794	.694	.630	.550	.500	.464	.415	.368	.322	.292	.255	.215
Light Shock	.90	.804	.715	.624	.567	.495	.450	.418	.373	.331	.290	.263	.230	.194
Moderate Shock	.70	.626	.556	.485	.441	.385	.350	.325	.290	.258	.225	.205	.179	.151

\* RADIAL LOAD FOR AN L-10 RATING LIFE OF 1,000,000 REVOLUTIONS.

\*\* RADIAL LOAD RATING FOR STATIONARY OR VERY LOW SPEED OPERATION.

**MAXIMUM RECOMMENDED SPEEDS:**

100, 200 Series	300 Series	
1/2 to 1-1/4S	1	3,500 RPM
1-1/4 to 1-1/2	1-3/16 to 1-7/16	3,000 RPM
1-5/8 to 2S	1-1/2 to 1-3/4	2,500 RPM
2 to 2-7/16	1-15/16 to 2-1/4	2,000 RPM
	2-7/16 to 2-11/16	1,700 RPM
	2-15/16 to 3-1/2	1,500 RPM

FOR ULTIMATE LIFE, SNUG FIT OR LIGHT PRESS FIT ON SHAFT SHOULD BE USED.

RECOMMENDED OPERATING TEMPERATURE RANGE: -25 TO +225 DEG F.

FOR APPLICATIONS NOT COVERED IN THE RATING TABLES, CONSULT THE FACTORY.

RATINGS ARE BASED ON ISO 281.

RATINGS ARE BASED ON SNUG OR LIGHT PRESS FIT ON SHAFT. MULTIPLY RATINGS BY 0.8 FOR LOOSE SHAFT FITS.

**FOR LUBRICATION AND MOUNTING  
INSTRUCTIONS REFER TO SECTION R.**

CERTIFIED PRINTS ARE AVAILABLE UPON REQUEST