



MINA-GEAR™ GEARMOTORS

2210 Series Size D Parallel Shaft Gearmotors & Reducers

56C Gear Drives 158-858 In-Lbs Output Torque P-2



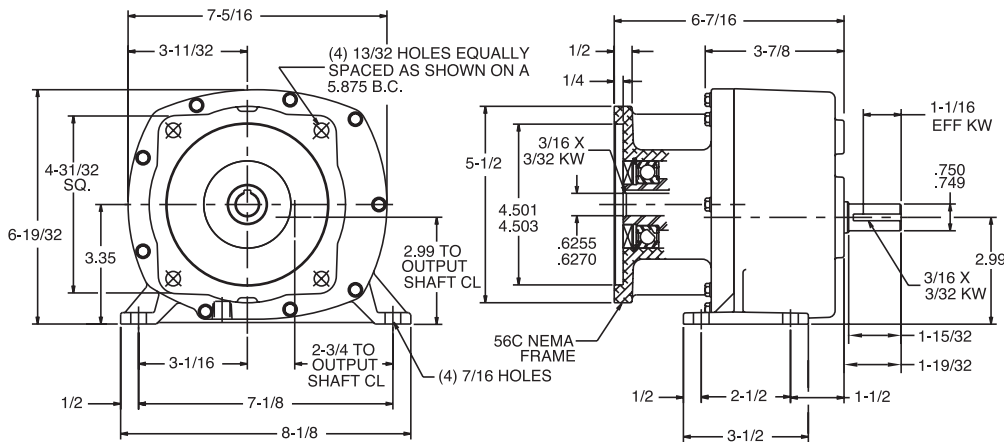
2210 SERIES 56C GEARDRIVES

FEATURES

- Mounting interchangeable with Bison Models 482 and 483, and many Dayton brand gear motors
- Torque from 150 to 1171 inch lbs.
- Ratios from 6:1 to 206:1
- Horsepowers from 1/8 to 3/4
- AC or DC motors available
- AGMA Class 9 gearing for maximum torque capacity and quiet operation
- Rugged 380 aluminum die cast housing for maximum gear and bearing support
- Permanently lubricated
- Modified units available upon request



UNITS ARE FACTORY FILLED WITH LUBRICANT. FOR IMPORTANT INSTALLATION INFORMATION REFER TO SECTION R (Pages R-2 to R-4)



SIZE D 56C GEARDRIVE

EXACT RATIO	MODEL	GEAR BOX ASSEMBLY NUMBER	OUTPUT RPM (1750 INPUT)	OUTPUT TORQUE @ 1750	HP @ 1750	OHL LBS.	SHIPPING WEIGHT
5.989	2212	50-5000796	292	158	.75	400	13 lbs.
10.780	2212	50-5000797	162	284	.75	500	13 lbs.
13.091	2212	50-5000798	134	344	.75	525	13 lbs.
19.067	2212	50-5000799	92	504	.75	575	13 lbs.
28.106	2212	50-5000800	62	744	.75	625	13 lbs.
40.581	2212	50-5000801	43	839	.60	650	13 lbs.
54.733	2213	50-5000802	32	1171	.63	650	14 lbs.
67.554	2213	50-5000803	26	1139	.50	650	14 lbs.
77.628	2213	50-5000804	22	1022	.40	700	14 lbs.
96.803	2213	50-5000805	18	1089	.33	700	14 lbs.
142.697	2213	50-5000806	12	1030	.21	700	14 lbs.
206.030	2213	50-5000807	8	858	.12	700	14 lbs.

ALL TORQUE VALUES ARE IN INCH LBS.
 THESE UNITS ARE DESIGNED FOR MOUNTING IN ANY POSITION, EXCEPT VERTICAL SHAFT WITH MOTOR BELOW IS NOT RECOMMENDED

CERTIFIED PRINTS ARE AVAILABLE UPON REQUEST