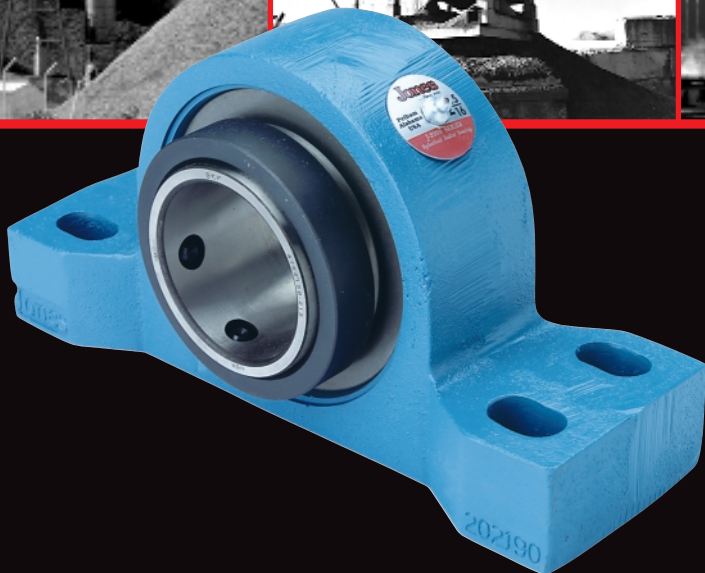


Jones

... Since 1890



Bearing Catalog

Pillow Blocks
Spherical Units
Takeups

Jones Bearing Company is a manufacturing and marketing company with plants based in the USA. *Jones* is a part of a group of companies that manufactures and sells mechanical power transmission components and conveyor systems.

Jones has extensive engineering, manufacturing and marketing expertise in the field of mechanical power transmission and conveying equipment. In addition to roller bearing pillow blocks, *Jones* manufactures flange blocks, take ups, elevator boot bearing assemblies, pulley shaft and conveyor shaft assemblies. The past experience gained as a total manufacturer for the power transmission and conveying industries is essential for the development and application of a premier product line for general industry.



Jones

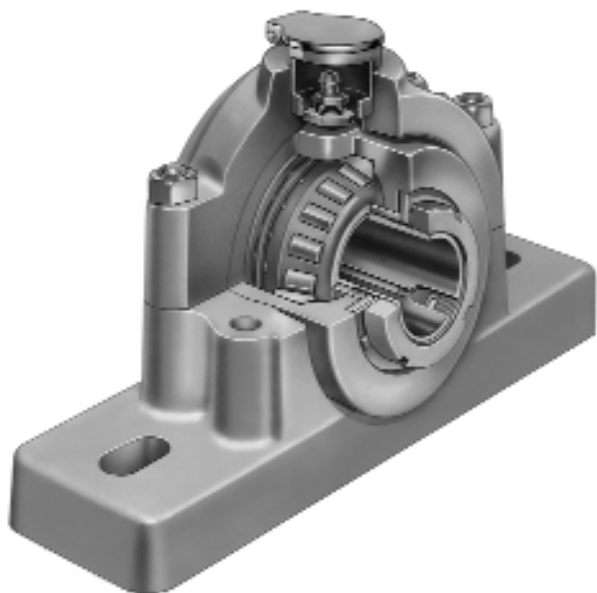
2000 Series Pillow Blocks

- High Quality USA Made Spherical Roller Bearings
- Internal Misalignment
- Triple Labyrinth Seal
- Collar Mounted
- Interchanges with Most Major Brands

Jones

PB1000 Extra Heavy Duty Pillow Blocks

- Heaviest Production Pillow Block
- Dual Tapered Roller Bearings
- All Steel High Temperature Seals
- Adapter Sleeve Mounted
- Highest Load Ratings Available



Contents

Jones is a full-line manufacturer of mounted spherical roller bearings and standard and heavy duty takeups. This catalog includes many of our industry standard designs.

If you cannot find the takeup or bearing unit you require in this catalog, call Jones. We are flexible and will engineer the component you require to meet your most exacting specifications.



Pillow Blocks
JA-2000 Pg. 2



Pillow Blocks
JE-2000 Pg. 3



Flanged Bearings
JYR-2000 Pg. 4



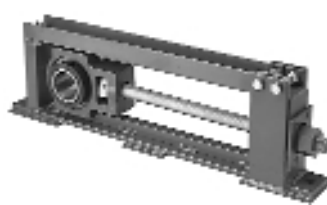
Piloted Flange Bearings
JYRP-2000 Pg. 5



Takeup Blocks
JT-2000/JT-5000 Pg. 6



Heavy Duty Spherical Units
Pg. 7



Center-Pull Takeups
JHT-2000/JHT-5000 Pg. 8



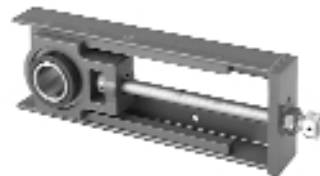
Head-End Takeups
JGT-2000/JGT-5000 Pg. 9



Boot-End Takeups
JFT-2000 Pg. 9



Compensating Foot Takeups
Type CU Pg. 10



Normal Duty Takeups
JAT-2000 Pg. 10



Protected Screw Takeup Assemblies
JNT-2000 Pg. 11



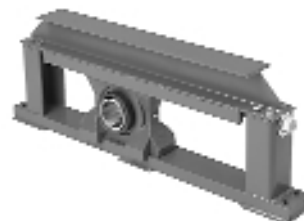
Pillow Block Takeup Frames
Type TFT Pg. 12



Rigid Sleeve Bearing Takeups
JSB-2800 Pg. 13



Extra Heavy Duty
Protected Screw Takeups
JPS-3800 Pg. 14



I-Frame
Heavy Duty Takeups
JHS-B22500H Pg. 15



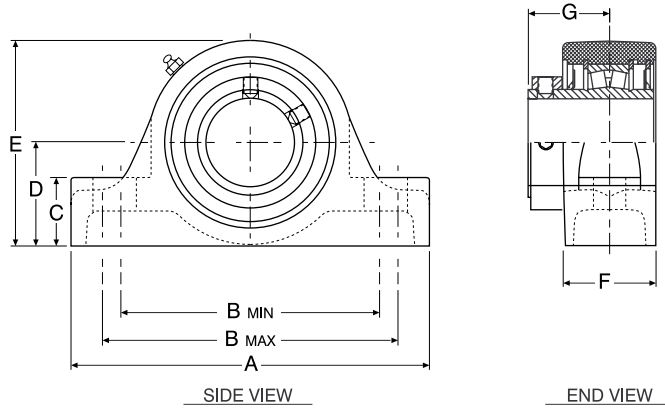
Extra Heavy Duty Pillow Blocks
PB-1000 Pg. 16

Pillow Blocks (2-Bolt)

JA-2000

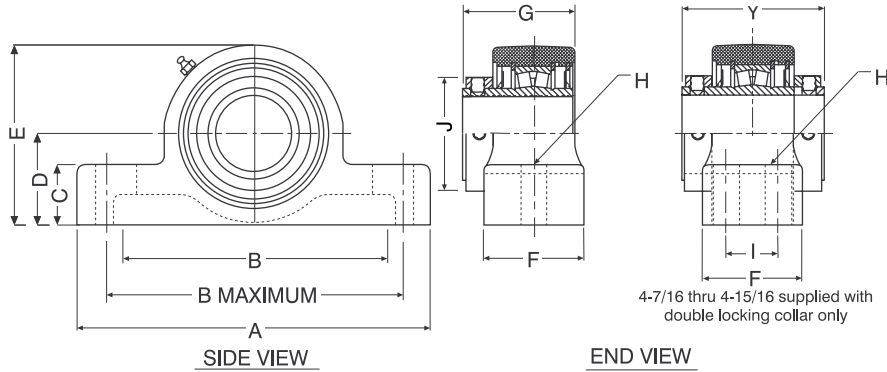
Jones

- Fully self-aligning
- Fixed and expansion units



SHAFT DIA.	ASSEMBLY DESIGNATION	TOTAL WEIGHT LBS.	A	B		C	D	E	F	G	F bolt Ø
				min.	max.						
1 ⁷ / ₁₆ 1 ¹ / ₂	JA2107 JA2108	7.6 7.4	6 ⁷ / ₈	4 ¹¹ / ₁₆	5 ⁵ / ₁₆	1 ³ / ₁₆	1 ⁷ / ₈	3 ³ / ₈	2 ¹ / ₈	1 ³ / ₄	1/2
1 ¹¹ / ₁₆ 1 ³ / ₄	JA2111 JA2112	10.4 10.	7 ³ / ₈	5 ³ / ₁₆	5 ¹³ / ₁₆	1 ⁵ / ₁₆	2 ¹ / ₈	4 ¹ / ₄	2 ¹ / ₈	1 ⁷ / ₈	1/2
1 ¹⁵ / ₁₆ 2	JA2115 JA2200	11.8 11.6	8 ³ / ₈	5 ¹⁵ / ₁₆	6 ⁹ / ₁₆	1 ³ / ₄	2 ¹ / ₄	4 ⁵ / ₈	2 ³ / ₈	1 ⁷ / ₈	5/8
2 ³ / ₁₆	JA2203	15	8 ⁷ / ₈	6 ⁷ / ₁₆	7 ¹ / ₁₆	1 ⁵ / ₈	2 ¹ / ₂	5	2 ³ / ₈	2	5/8
2 ⁷ / ₁₆ 2 ¹ / ₂	JA2207 JA2208	20.5 20	9 ¹ / ₄	6 ¹³ / ₁₆	7 ⁷ / ₁₆	1 ³ / ₄	2 ³ / ₄	5 ¹¹ / ₁₆	2 ⁵ / ₈	2 ¹ / ₈	5/8
2 ¹¹ / ₁₆ 2 ³ / ₄ 2 ¹⁵ / ₁₆ 3	JA2211 JA2212 JA2215 JA2300	29.8 29 28.2 27.4	10 ¹ / ₂	7 ¹³ / ₁₆	8 ⁷ / ₁₆	2 ¹ / ₄	3 ¹ / ₄	6 ⁷ / ₁₆	2 ⁵ / ₈	2 ³ / ₈	3/4
3 ⁷ / ₁₆ 3 ¹ / ₂	JA2307 JA2308	46.5 45.9	13	9 ¹ / ₄	10 ³ / ₄	2 ¹ / ₄	3 ³ / ₄	7 ¹ / ₂	3	2 ⁵ / ₈	7/8
3 ¹¹ / ₁₆ 3 ¹⁵ / ₁₆ 4	JA2311 JA2315 JA2400	70.7 70.1 69.5	14 ¹ / ₄	10	11 ³ / ₄	2 ¹ / ₂	4 ¹ / ₈	8 ⁷ / ₁₆	3 ³ / ₈	3	1

- Fully self-aligning
- Fixed and expansion units

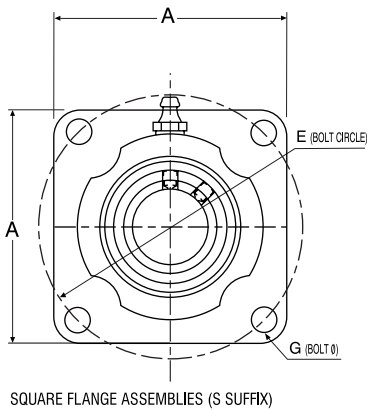
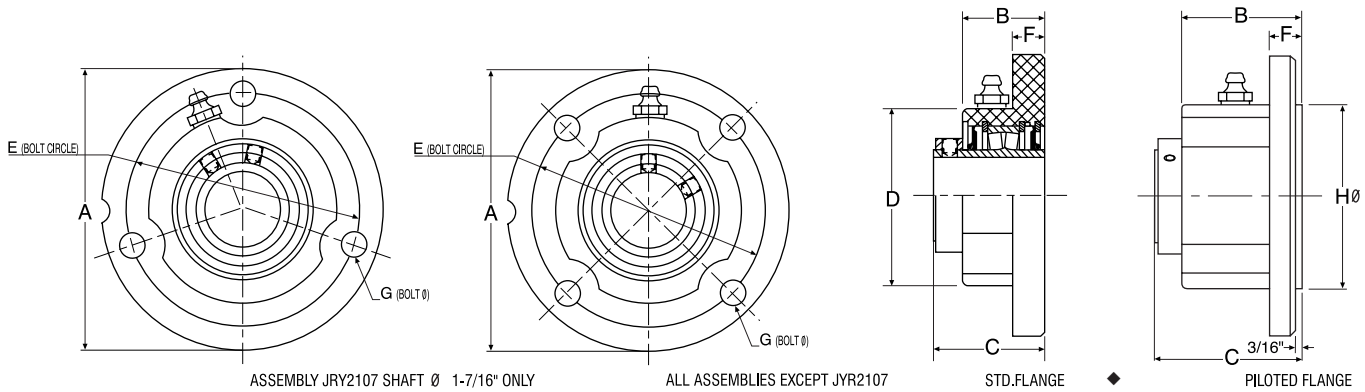


SHAFT DIA.	ASSEMBLY DESIGNATION	TOTAL WT. (LBS.)	A	B (2-BOLT BASE)		B (4-BOLT BASE)		C	D	E	F 2-bolt	F 4-bolt ¹	G	H 2-bolt bolt Ø	H 4-bolt bolt Ø	I	J	Y
				min.	max.	min.	max.											
1 ⁷ / ₁₆	JE2107	8.0	7 ⁷ / ₈	5 ¹ / ₂	6			1 ¹ / ₈	1 ¹ / ₈	3 ⁷ / ₈	2 ¹ / ₈		2 ²⁷ / ₃₂	1 ¹ / ₂			2 ³ / ₈	
1 ¹ / ₂	JE2108	8.0		5 ¹ / ₂	6			1 ¹ / ₈	2 ¹ / ₈	4 ¹ / ₄	2 ¹ / ₈		3 ¹ / ₂	1 ¹ / ₂			2 ³ / ₈	
1 ¹¹ / ₁₆	JE2111	9.3	7 ⁷ / ₈	6	6 ¹ / ₂			1 ¹ / ₄	2 ¹ / ₄	4 ¹ / ₄	2 ³ / ₈		3 ³ / ₃₂	1 ¹ / ₂			2 ⁵ / ₈	
1 ³ / ₄	JE2112	9.3		6	6 ¹ / ₂			1 ¹ / ₄	2 ¹ / ₄	4 ¹ / ₂	2 ³ / ₈		3 ³ / ₃₂	5 ¹ / ₈			2 ⁵ / ₈	
1 ¹⁵ / ₁₆	JE2115	10.5	8 ⁷ / ₈	6 ³ / ₄	7 ¹ / ₄			1 ⁵ / ₈	2 ¹ / ₄	4 ¹ / ₂	2 ¹ / ₂		3 ⁵ / ₃₂	5 ¹ / ₈			2 ⁷ / ₈	
2	JE2200	10.5	8 ⁷ / ₈	6 ³ / ₄	7 ¹ / ₄			1 ⁵ / ₈	2 ¹ / ₄	4 ¹ / ₂	2 ¹ / ₂		3 ⁵ / ₃₂	5 ¹ / ₈			2 ⁷ / ₈	
2 ³ / ₁₆	JE2203	13.5	9 ⁵ / ₈	7 ¹ / ₂	8			1 ¹ / ₂	2 ¹ / ₂	5	2 ⁵ / ₈		3 ¹ / ₃₂	5 ¹ / ₈			3 ¹ / ₄	
2 ⁷ / ₁₆	JE2207	18.5	10 ¹ / ₂	8 ¹ / ₄	8 ³ / ₄	8 ¹ / ₄	8 ³ / ₄	1 ⁵ / ₈	2 ³ / ₄	5 ¹¹ / ₁₆	2 ⁷ / ₈	3 ¹ / ₂	3 ¹⁹ / ₃₂	5 ¹ / ₈	5 ¹ / ₈	1 ⁷ / ₈	4	
2 ¹ / ₂	JE2208	18.5		8 ¹ / ₄	8 ³ / ₄	8 ¹ / ₄	8 ³ / ₄	1 ⁵ / ₈	2 ³ / ₄	5 ¹¹ / ₁₆	2 ⁷ / ₈	3 ¹ / ₂	3 ¹⁹ / ₃₂	5 ¹ / ₈	5 ¹ / ₈	1 ⁷ / ₈	4	
2 ¹¹ / ₁₆	JE2211	26.5	12	9 ¹ / ₄	9 ³ / ₄	9 ¹ / ₈	9 ⁷ / ₈	1 ⁷ / ₈	3 ¹ / ₈	6 ⁵ / ₁₆	3	4	3 ²⁹ / ₃₂	3 ¹ / ₄	5 ¹ / ₈	2 ¹ / ₈	4 ¹ / ₂	
2 ³ / ₄	JE2212	25.5		9 ¹ / ₄	9 ³ / ₄	9 ¹ / ₈	9 ⁷ / ₈	1 ⁷ / ₈	3 ¹ / ₈	6 ⁵ / ₁₆	3	4	3 ²⁹ / ₃₂	3 ¹ / ₄	5 ¹ / ₈	2 ¹ / ₈	4 ¹ / ₂	
2 ¹⁵ / ₁₆	JE2215	22.5		9 ¹ / ₄	9 ³ / ₄	9 ¹ / ₈	9 ⁷ / ₈	1 ⁷ / ₈	3 ¹ / ₈	6 ⁵ / ₁₆	3	4	3 ²⁹ / ₃₂	3 ¹ / ₄	5 ¹ / ₈	2 ¹ / ₈	4 ¹ / ₂	
3	JE2300	22.5		9 ¹ / ₄	9 ³ / ₄	9 ¹ / ₈	9 ⁷ / ₈	1 ⁷ / ₈	3 ¹ / ₈	6 ⁵ / ₁₆	3	4	3 ²⁹ / ₃₂	3 ¹ / ₄	5 ¹ / ₈	2 ¹ / ₈	4 ¹ / ₂	
3 ⁷ / ₁₆	JE2307	35.5	14	10 ¹¹ / ₁₆	11 ⁵ / ₁₆	10 ⁹ / ₁₆	11 ⁷ / ₁₆	2 ¹ / ₄	3 ³ / ₄	7 ¹ / ₂	3 ⁵ / ₈	4 ¹ / ₂	4 ⁷ / ₁₆	7 ¹ / ₈	3 ¹ / ₄	2 ³ / ₈	5 ¹ / ₈	
3 ¹ / ₂	JE2308	35.5		10 ¹¹ / ₁₆	11 ⁵ / ₁₆	10 ⁹ / ₁₆	11 ⁷ / ₁₆	2 ¹ / ₄	3 ³ / ₄	7 ¹ / ₂	3 ⁵ / ₈	4 ¹ / ₂	4 ⁷ / ₁₆	7 ¹ / ₈	3 ¹ / ₄	2 ³ / ₈	5 ¹ / ₈	
3 ¹¹ / ₁₆	JE2311	50.5	15 ¹ / ₄			12	13	2 ⁷ / ₁₆	4 ¹ / ₄	8 ⁹ / ₁₆		4 ¹ / ₂	4 ⁷ / ₈		3 ¹ / ₄	2 ¹ / ₄	6	
3 ¹⁵ / ₁₆	JE2315	50.5				12	13	2 ⁷ / ₁₆	4 ¹ / ₄	8 ⁹ / ₁₆		4 ¹ / ₂	4 ⁷ / ₈		3 ¹ / ₄	2 ¹ / ₄	6	
4	JE2400	50.5				12	13	2 ⁷ / ₁₆	4 ¹ / ₄	8 ⁹ / ₁₆		4 ¹ / ₂	4 ⁷ / ₈		3 ¹ / ₄	2 ¹ / ₄	6	
4 ⁷ / ₁₆	JE5407	71.0	16 ⁵ / ₈			13 ¹ / ₈	13 ³ / ₈	2 ³ / ₄	4 ³ / ₄	9 ³ / ₈		4 ⁵ / ₈	4 ³¹ / ₃₂		3 ¹ / ₄	2 ¹ / ₂	6 ¹ / ₈	6 ¹ / ₈
4 ¹ / ₂	JE5408	71.0				13 ¹ / ₈	13 ³ / ₈	2 ³ / ₄	4 ³ / ₄	9 ³ / ₈		4 ⁵ / ₈	4 ³¹ / ₃₂		3 ¹ / ₄	2 ¹ / ₂	6 ¹ / ₈	6 ¹ / ₈
4 ¹⁵ / ₁₆	JE5415	100.0	18 ¹ / ₂			15 ¹ / ₈	15 ³ / ₈	3	5 ¹ / ₂	10 ³ / ₈		5 ¹ / ₈	5 ⁹ / ₃₂		7 ¹ / ₈	2 ³ / ₄	6 ⁷ / ₈	6 ⁵ / ₈

NOTE: 1) Specify JE2000F when pillow blocks with 4 bolt base is required

Flanged Bearings JYR-2000

- Fully self-aligning
- Fixed and expansion units

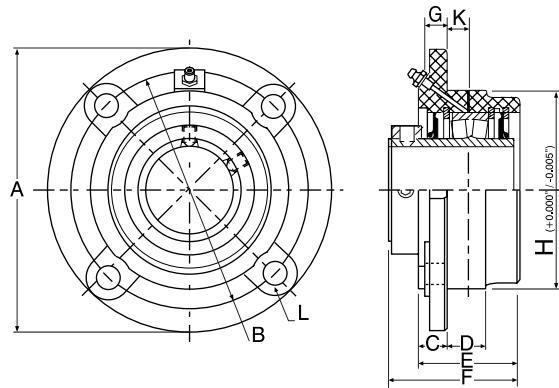


SHAFT DIA.	ASSEMBLY DESIGNATION ◆	TOTAL WEIGHT LBS.	A	B	C	D	E bolt circle ¹	F	G bolt Ø	H +.000 -.003
1 ⁷ / ₁₆ 1 ¹ / ₂	JYR2107 JYR2108	8.45 8.40	6 ¹ / ₄	2 ¹ / ₈	2 ⁷ / ₈	3 ³ / ₄	5	3 ³ / ₄	3@1 ¹ / ₂	3.562
1 ¹¹ / ₁₆ 1 ³ / ₄	JYR2111 JYR2112	10.5 10.5	6 ³ / ₄	2 ¹ / ₈	3	4 ¹ / ₈	5 ¹ / ₂	3 ³ / ₄	4@1 ¹ / ₂	4.062
1 ¹⁵ / ₁₆ 2	JYR2115 JYR2200	11.0 11.0	7	2 ³ / ₈	3	4 ¹ / ₂	5 ³ / ₄	3 ³ / ₄	4@1 ¹ / ₂	4.375
2 ³ / ₁₆	JYR2203	13.5	7 ³ / ₄	2 ³ / ₈	3 ¹ / ₄	5 ¹ / ₈	6 ³ / ₈	3 ³ / ₄	4@5 ⁸ / ₁₆	5.000
2 ⁷ / ₁₆ 2 ¹ / ₂	JYR2207 JYR2208	17.5 17.5	8 ¹ / ₈	2 ⁵ / ₈	3 ¹ / ₂	5 ⁷ / ₈	6 ³ / ₄	1 ⁵ / ₁₆	4@5 ⁸ / ₁₆	5.437
2 ¹¹ / ₁₆ 2 ³ / ₄ 2 ¹⁵ / ₁₆ 3	JYR2211 JYR2212 JYR2215 JYR2300	27.00 27.00 26.00 26.00	9 ¹ / ₂	2 ⁵ / ₈	3 ⁷ / ₈	6 ³ / ₈	7 ⁷ / ₈	1 ⁵ / ₁₆	4@3 ⁴ / ₈	6.312
3 ⁷ / ₁₆ 3 ¹ / ₂	JYR2307 JYR2308	38.00 38.00	11 ¹ / ₈	3 ³ / ₁₆	4 ⁹ / ₃₂	7 ³ / ₈	9 ¹ / ₂	1 ¹ / ₈	4@3 ⁴ / ₈	7.375
3 ⁷ / ₁₆ 3 ¹ / ₂	JYR2307S JYR2308S	38.00 38.00	8 ⁷ / ₁₆	3 ³ / ₁₆	4 ⁹ / ₃₂	7 ³ / ₈	9 ¹ / ₂	1 ¹ / ₈	4@3 ⁴ / ₈	7.375
3 ¹¹ / ₁₆ 3 ¹⁵ / ₁₆ 4	JYR2311 JYR2315 JRY2400	53.00 52.00	12 ⁵ / ₈	3 ³ / ₈	4 ²⁷ / ₃₂	8 ³ / ₈	10 ³ / ₄	1 ¹ / ₈	4@7 ⁸ / ₁₆	8.500
3 ¹¹ / ₁₆ 3 ¹⁵ / ₁₆ 4	JYR2311S JYR2315S JYR2400(S)	53.00 52.00	9 ³ / ₄	3 ³ / ₈	4 ²⁷ / ₃₂	8 ³ / ₈	10 ³ / ₄	1 ¹ / ₈	4@7 ⁸ / ₁₆	8.500

NOTES: 1) JYR 1-⁷/₁₆ and 1-¹/₂ only available with three bolt flange all other sizes use four holes evenly spaced.

◆ Pilot - Use suffix P

- Fully self-aligning
- Fixed and expansion units



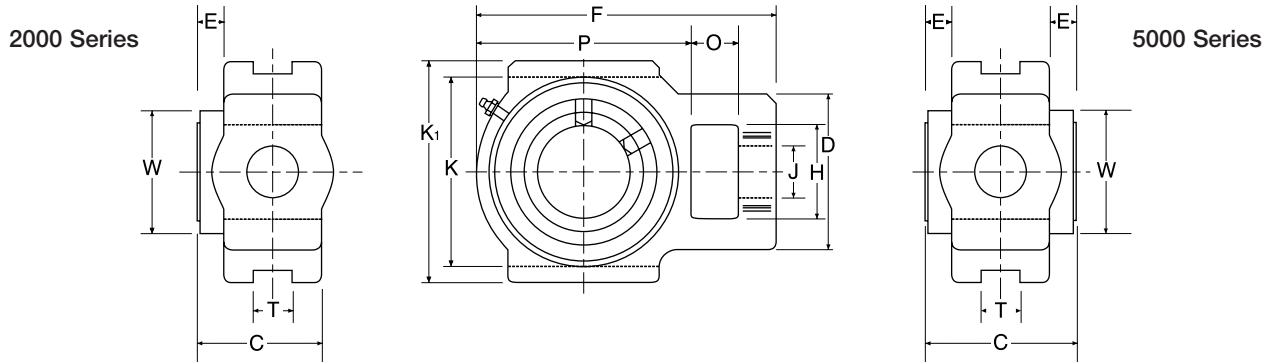
SHAFT DIA.	ASSEMBLY DESIGNATION	TOTAL WEIGHT LBS.	A	B	C	D	E	F	G	H ¹	K	L bolt Ø
1 ⁷ / ₁₆ 1 ¹ / ₂	JYRP2107 JYRP2108	6.30 6.30	5 ¹ / ₄	4 ³ / ₈	2 ³ / ₃₂	3 ⁴ / ₄	2 ¹ / ₄	2 ⁵⁷ / ₆₄	1 ² / ₂	3.625	2 ⁵ / ₆₄	3 ⁸ / ₈
1 ¹¹ / ₁₆ 1 ³ / ₄	JYRP2111 JYRP2112	7.75 7.65	6 ¹ / ₈	5 ¹ / ₈	5 ⁸ / ₈	7 ⁸ / ₈	2 ¹ / ₂	3 ⁵ / ₃₂	1 ² / ₂	4.250	1 ⁹ / ₃₂	7 ¹ / ₁₆
1 ¹⁵ / ₁₆ 2	JYRP2115 JYRP2200	8.15 8.15	6 ³ / ₈	5 ³ / ₈	5 ⁸ / ₈	7 ⁸ / ₈	2 ¹ / ₂	3 ⁵ / ₃₂	9 ¹ / ₁₆	4.500	1 ⁹ / ₃₂	7 ¹ / ₁₆
2 ³ / ₁₆	JYRP2203	9.90	7 ¹ / ₈	6	2 ³ / ₃₂	1	2 ⁹ / ₁₆	3 ⁵ / ₁₆	9 ¹ / ₁₆	5.000	1 ⁷ / ₃₂	1 ² / ₂
2 ⁷ / ₁₆ 2 ¹ / ₂	JYRP2207 JYRP2208	14.0 13.5	7 ⁵ / ₈	6 ¹ / ₂	1 ³ / ₁₆	1	2 ⁵ / ₈	3 ¹ / ₂	5 ⁸ / ₈	5.500	7 ¹ / ₁₆	1 ² / ₂
2 ¹¹ / ₁₆ 2 ³ / ₄ 2 ¹⁵ / ₁₆ 3	JYRP2211 JYRP2212 JYRP2215 JYRP2300	20.5 20.5 19.5 19.5	8 ³ / ₄	7 ¹ / ₂	1 ³ / ₁₆	1 ¹ / ₄	3 ¹ / ₈	3 ²⁹ / ₃₂	1 ¹ / ₁₆	6.375	2 ⁵ / ₃₂	5 ⁸ / ₈
3 ⁷ / ₁₆ 3 ¹ / ₂	JYRP2307 JYRP2308	29.5 29.0	10 ¹ / ₄	8 ⁵ / ₈	1 ¹ / ₁₆	1 ¹ / ₄	3 ³ / ₁₆	4 ⁷ / ₃₂	7 ⁸ / ₈	7.375	1 ² / ₂	3 ⁴ / ₄
3 ¹¹ / ₁₆ 3 ⁵ / ₁₆ 4	JYRP2311 JYRP2315 JYRP2400	41.0 41.0 40.0	10 ⁷ / ₈	9 ³ / ₈	1	2	3 ⁵ / ₈	4 ¹³ / ₁₆	7 ⁸ / ₈	8.125	2 ⁵ / ₃₂	3 ⁴ / ₄

NOTE: 1) Tolerance on OD of pilot diameter "H" is +0.000"/-0.005"

Takeup Blocks - Normal & Heavy Duty

JT-2000 / JT-5000

- Takeup blocks on this page may be used with JHT, JFT, JAT, JGT or CU frame
- Fixed and expansion units



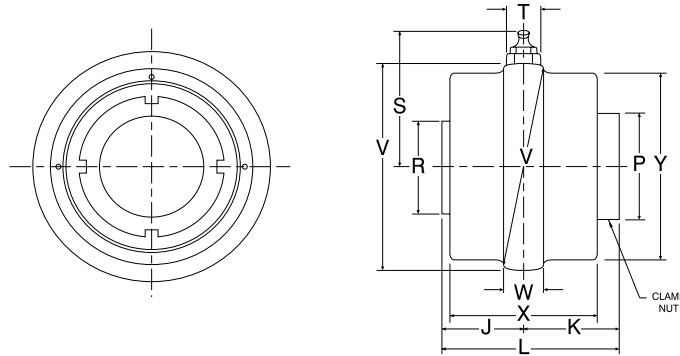
SHAFT SIZE	2000 SERIES	5000 SERIES	WORKING LOAD †	SIZE CODE	C		D	E	F	H	J	K +0.005 -0.015	K1	O	P	T +0.005 -0.015	W	WEIGHT 2000	WEIGHT 5000
					2000 SERIES	5000 SERIES													
1 ⁷ / ₁₆ 1 ¹ / ₂	JT4-2107 JT4-2108	7,600	4	2 ¹³ / ₁₆	...	2 ⁷ / ₁₆	1 ¹ / ₁₆	5 ³ / ₈	1 ⁷ / ₁₆	7 ⁸ / ₈	3 ¹ / ₂	4 ¹ / ₈	5 ⁸ / ₈	4	1 ⁷ / ₃₂	2 ³ / ₈	6.4 6.3
1 ¹¹ / ₁₆ 1 ³ / ₄	JT5-2111 JT5-2112	12,300	5	2 ¹⁵ / ₁₆	...	3 ⁵ / ₁₆	5 ⁸ / ₈	6 ¹ / ₈	1 ¹⁵ / ₁₆	1 ¹ / ₈	4	4 ³ / ₄	3 ⁴ / ₄	4 ⁵ / ₈	1 ¹ / ₁₆	2 ⁵ / ₈	9.8 9.7
1 ¹⁵ / ₁₆ 2	JT6-2115 JT6-2200	12,300	6	3 ¹ / ₁₆	...	3 ⁵ / ₁₆	5 ⁸ / ₈	6 ¹ / ₈	1 ¹⁵ / ₁₆	1 ¹ / ₈	4	4 ³ / ₄	3 ⁴ / ₄	4 ⁵ / ₈	1 ¹ / ₁₆	2 ⁷ / ₈	10.1 9.9
2 ³ / ₁₆	JT7-2203	...	13,500	7	3 ³ / ₁₆	...	3 ³ / ₄	3 ⁴ / ₄	7 ¹ / ₈	2 ¹ / ₄	1 ¹ / ₄	4 ¹ / ₂	5 ¹ / ₄	1	5 ¹ / ₄	1 ³ / ₁₆	3 ¹ / ₄	13.6	...
2 ⁷ / ₁₆ 2 ¹ / ₂	JT8-2207 JT8-2208	20,900	8	3 ⁷ / ₁₆	...	4 ¹ / ₈	7 ⁸ / ₈	7 ³¹ / ₃₂	2 ¹ / ₂	1 ³ / ₈	5 ⁵ / ₈	5 ⁷ / ₈	1 ¹ / ₄	5 ²⁵ / ₃₂	1 ¹ / ₁₆	4	18.2 17.9
2 ¹¹ / ₁₆ 2 ³ / ₄ 2 ¹⁵ / ₁₆ 3	JT9-2211 JT9-2212 JT9-2215 JT9-2300	26,800	9	3 ¹ / ₁₆	...	4 ³ / ₄	7 ⁸ / ₈	8 ¹⁵ / ₁₆	2 ³ / ₄	1 ⁵ / ₈	5 ¹⁵ / ₁₆	6 ¹¹ / ₁₆	1 ¹ / ₄	6 ¹ / ₂	1 ¹³ / ₁₆	4 ¹ / ₂	28.8 28.4 27.6 27.0
3 ⁷ / ₁₆ 3 ¹ / ₂	JT10-2307 JT10-2308	27,300	10	4 ³ / ₃₂	...	4 ⁷ / ₈	7 ⁸ / ₈	10 ¹ / ₄	2 ⁷ / ₈	1 ⁷ / ₈	6 ¹³ / ₁₆	7 ¹³ / ₁₆	1 ⁵ / ₈	7 ⁹ / ₁₆	1 ¹³ / ₁₆	5 ⁵ / ₈	40.5 40.0
3 ¹¹ / ₁₆ 3 ¹⁵ / ₁₆ 4	JT11-2311 JT11-2315 JT11-2400	45,400	11	4 ²¹ / ₃₂	...	5 ³ / ₈	1	12 ¹ / ₈	3 ³ / ₈	2 ¹ / ₈	8 ⁵ / ₈	9 ⁷ / ₁₆	2 ¹ / ₈	8 ¹³ / ₁₆	2 ¹ / ₁₆	6	71.0 68.0 67.0
4 ⁷ / ₁₆ 4 ¹ / ₂	JT12-5407 JT12-5408	53,700	12	...	6 ¹ / ₈	6 ³ / ₈	1	13 ⁷ / ₁₆	3 ³ / ₈	2 ¹ / ₈	9 ¹ / ₂	10 ³ / ₈	2 ¹ / ₈	9 ¹³ / ₁₆	2 ¹ / ₁₆	6 ¹ / ₈	91.1 90.0
4 ¹⁵ / ₁₆	...	JT13-5415	68,000	13	...	6 ⁵ / ₈	7	1	15 ¹ / ₈	3 ³ / ₄	2 ³ / ₈	10 ¹ / ₄	11 ¹ / ₄	2 ¹ / ₂	10 ⁷ / ₈	2 ¹ / ₁₆	6 ⁷ / ₈	...	130
5 ⁷ / ₁₆	...	JT14-5507	140,900	14	...	8	8	1 ¹ / ₃₂	20 ⁵ / ₈	5	3 ¹ / ₈	14 ¹ / ₈	16	3 ¹ / ₂	15 ³ / ₈	2 ⁹ / ₁₆	8 ³ / ₁₆	...	417
5 ¹⁵ / ₁₆ 6	JT15-5515 JT15-5600	140,900	15	...	8 ¹ / ₈	8	1 ⁵ / ₃₂	20 ⁵ / ₈	5	3 ¹ / ₈	14 ¹ / ₈	16	3 ¹ / ₂	15 ³ / ₈	2 ⁹ / ₁₆	8 ¹ / ₁₆	426 424
6 ⁷ / ₁₆ 6 ¹⁵ / ₁₆ 7	JT16-5607 JT16-5615 JT16-5700	165,300	16	...	8 ³ / ₄	8	1 ⁹ / ₃₂	20 ⁵ / ₈	5	3 ¹ / ₈	14 ¹ / ₈	16	3 ¹ / ₂	15 ³ / ₈	2 ⁹ / ₁₆	9 ³ / ₄	433 428 426

NOTES: 1) Dimensions subject to change. Certified dimensions of ordered material furnished on request.
2) 2000 series has single set collar. 5000 series has double set collar.

† Allowable working load is ²/₃ yield strength.

Manufacturers & machine builders sometimes desire to incorporate anti-friction bearing units into the design of their product, using their frame for the bearing support.

The internal unit as used in the takeup block is self-contained and can be used in this manner. The standard spherical ring on the housing allows manufacturers to design around the Jones Spherical Unit.



STD. SHAFT DIA.	OTHER SHAFT SIZES †	J	K	L	P	R	S	T	V*	W	X	Y	SPH. UNIT WT.
1 ⁵ / ₁₆	1 ³ / ₁₆ - 2	1 ⁵ / ₁₆	2 ³ / ₁₆	4 ¹ / ₈	3	2 ⁵ / ₁₆	3 ³ / ₁₆	7 ⁸ / ₁₆	4 ¹¹ / ₁₆	1	3 ¹ / ₂	4 ⁷ / ₁₆	10
2 ³ / ₁₆	2 ¹³ / ₁₆ - 2 ¹ / ₄	2 ¹ / ₁₆	2 ³ / ₈	4 ⁷ / ₁₆	3 ³ / ₈	2 ⁵ / ₈	3 ³ / ₈	7 ⁸ / ₁₆	5 ¹ / ₈	1 ¹ / ₁₆	3 ³ / ₄	4 ⁷ / ₈	13
2 ⁷ / ₁₆	2 ⁵ / ₁₆ - 2 ¹ / ₂	2 ⁵ / ₁₆	2 ⁵ / ₈	4 ¹⁵ / ₁₆	3 ³ / ₈	2 ⁷ / ₈	3 ³ / ₈	7 ⁸ / ₁₆	5 ¹¹ / ₁₆	1 ³ / ₁₆	4 ¹ / ₄	5 ³ / ₈	18
2 ¹⁵ / ₁₆	2 ⁵ / ₈ - 2 ⁷ / ₈	2 ⁵ / ₈	3 ¹ / ₁₆	5 ¹¹ / ₁₆	4 ¹ / ₈	3 ⁷ / ₁₆	4 ¹ / ₈	7 ⁸ / ₁₆	6 ⁹ / ₁₆	1 ³ / ₈	4 ⁷ / ₈	6 ³ / ₁₆	28
3 ⁷ / ₁₆	3 - 3 ¹ / ₂	2 ¹⁵ / ₁₆	3 ⁷ / ₁₆	6 ³ / ₈	5	4	5	1 ¹ / ₈	8	1 ³ / ₄	5 ¹ / ₂	7 ⁵ / ₈	48
3 ¹⁵ / ₁₆	3 ⁵ / ₈ - 4	4 ³ / ₈	4 ³ / ₈	8 ³ / ₄	6	6 ³ / ₄	6	1 ¹ / ₈	10	2	6 ³ / ₄	9 ⁵ / ₈	92
4 ⁷ / ₁₆	4 ¹ / ₈ - 4 ¹ / ₂	4 ¹¹ / ₁₆	4 ¹¹ / ₁₆	9 ³ / ₈	6 ³ / ₄	7	6 ³ / ₈	1 ¹ / ₈	10 ³ / ₄	2 ¹ / ₄	7 ¹ / ₄	10 ¹ / ₄	130
4 ¹⁵ / ₁₆	4 ⁵ / ₈ - 4 ¹⁵ / ₁₆	5	5	10	7	7 ³ / ₄	7	1 ¹ / ₈	12	2 ¹ / ₂	7 ³ / ₄	11 ³ / ₈	170
6	5 ⁷ / ₁₆ - 5 ¹⁵ / ₁₆	6	6	12	8 ⁵ / ₈	9	8 ⁵ / ₈	1 ³ / ₈	15	3 ¹ / ₂	9 ¹ / ₄	14	340
7	6 ⁷ / ₁₆ - 6 ¹⁵ / ₁₆	6 ³ / ₄	6 ³ / ₄	13 ¹ / ₂	9 ³ / ₄	10 ¹ / ₂	9 ¹ / ₂	1 ³ / ₈	16 ³ / ₄	4 ¹ / ₄	10 ³ / ₄	15 ¹ / ₂	560
8	7 ⁷ / ₁₆ - 7 ¹⁵ / ₁₆	7 ⁹ / ₁₆	7 ⁹ / ₁₆	15 ¹ / ₈	11	11 ³ / ₄	10 ⁵ / ₈	1 ³ / ₈	19	4 ³ / ₄	12	17 ³ / ₄	785
9	8 ⁷ / ₈ - 8 ¹⁵ / ₁₆	8 ⁹ / ₁₆	8 ⁹ / ₁₆	17 ¹ / ₈	12 ¹ / ₄	13	12	1 ³ / ₈	21 ³ / ₄	5 ¹ / ₂	13 ¹ / ₂	20 ¹ / ₄	1003

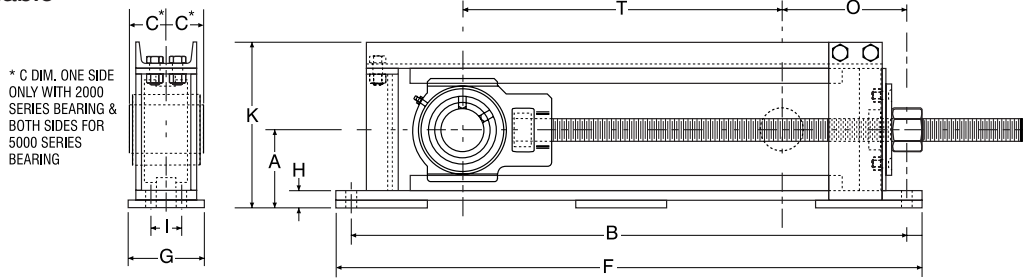
- NOTES:
- †Dimensions subject to change. Certified dimensions of ordered material furnished on request.
 - *Spherical unit diameters "V" are noted in fractional dimensions to simplify construction work; however, the actual dimension would be held to decimal having the following tolerances:
 - Spherical unit sizes 1⁻¹⁵/₁₆" -7" inclusive will have a "V" dimension of +.000"/-.001".
 - Spherical unit sizes 8" and 9" will have a "V" dimension of +.000"/-.002".
 - Spherical units requiring special shaft sizes not listed in the 'Other Shaft Sizes' column, consult Jones for Engineering Review.

Heavy Duty Center-Pull Takeup Assembly

JHT-2000 / JHT-5000



- Self-aligning roller bearing
- Welded steel frame
- Metric sizes available



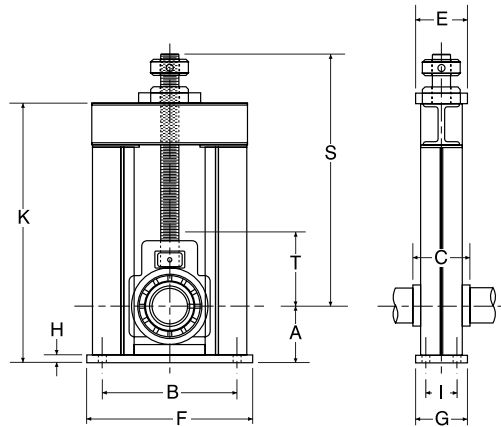
SHAFT DIA.	COMPLETE ASSY. NUMBER	FRAME ASSY. ONLY	FRAME NET WT.	ALLOWABLE WORKING LOAD †	A	B	C	F	G	H	I	K	TRAVEL T	O	BOLTS REQ		TAKEUP WT.
															NO.	SIZE	
1 1/16 2	JHT6-2115-12	JHT6-12	58	12,300	3 1/16	27 1/2	1 1/16	29 1/2	4	7/8	...	8 3/16	15 1/2	6 3/8	2	5/8	73
	JHT6-2200-18	18	69			33 1/2		35 1/2					21 1/2				
	24	24	80			39 1/2		41 1/2					27 1/2				
	30	30	91			45 1/2		47 1/2					33 1/2				
	36	36	102			51 1/2		53 1/2					39 1/2				
2 3/16	JHT7-2203-12	JHT7-12	67	13,000	4 7/16	27 1/2	2 1/16	29 1/2	4	1 3/16	...	9	15	6 3/4	2	5/8	85
	JHT7-2203-18	18	78			33 1/2		35 1/2					21 1/2				
	24	24	90			39 1/2		41 1/2					27				
	30	30	101			45 1/2		47 1/2					33				
	36	36	112			51 1/2		53 1/2					39				
2 7/16 2 1/2	JHT8-2207-12	JHT8-12	74	16,300	4 3/8	28 1/2	2 3/16	30 1/2	4	3/4	...	9 9/16	15	7 1/2	2	3/4	98
	JHT8-2208-18	18	86			34 1/2		36 1/2					21				
	24	24	98			40 1/2		42 1/2					27				
	30	30	110			46 1/2		48 1/2					33				
	36	36	122			52 1/2		54 1/2					39				
2 1/16 2 1/8 3	JHT9-2211-12	JHT9-12	115	26,800	5 1/8	30 1/2	2 7/16	32 1/2	5	1 1/8	2	10 7/8	16	8 1/8	4	5/8	145
	JHT9-2211-18	18	131			36 1/2		38 1/2					22				
	JHT9-2215-24	24	145			42 1/2		44 1/2					28				
	JHT9-2300-30	30	165			48 1/2		50 1/2					34				
	36	36	182			54 1/2		56 1/2					40				
3 7/16 3 1/2	JHT10-2307-12	JHT10-12	126	27,300	5 3/8	32	2 5/8	34 1/4	5	1 1/8	2	11 1/16	16	8 3/4	4	3/4	161
	JHT10-2307-18	18	145			38		40 1/4					22				
	JHT10-2308-24	24	164			44		46 1/4					28				
	30	30	183			50		52 1/4					34				
	36	36	202			56		58 1/4					40				
3 1/16 3 5/16 4	JHT11-2311-12	JHT11-12	195	38,400	7	36	3	38 1/2	6	1 3/8	2 1/2	14 3/8	17 1/2	10 5/8	4	3/4	244
	JHT11-2315-18	18	227			42		44 1/2					23 1/2				
	JHT11-2400-24	24	253			48		50 1/2					28 1/2				
	30	30	278			54		56 1/2					35 1/2				
	36	36	304			60		62 1/2					40 1/2				
4 7/16 4 1/2	JHT12-5408-12	JHT12-12	279	53,300	7 1/2	40 3/4	3 1/16	45 3/4	8 7/8	1 3/8	5	15 1/2	19	12 1/4	4	1 1/8	363
	JHT12-5407-18	18	307			46 3/4		51 3/4					25				
	24	24	334			52 3/4		57 3/4					31				
	30	30	363			58 3/4		63 3/4					37				
	36	36	384			64 3/4		69 3/4					43				
42	42	420	70 3/4	75 3/4	49												
4 5/16 5	JHT13-5415-12	JHT13-12	310	68,000	8 3/8	44 1/2	3 5/16	49 1/2	9 7/8	1	5 1/2	16 3/4	20 1/4	13 1/2	4	1 1/8	440
	JHT13-5500-18	18	330			50 1/2		55 1/2					26 1/4				
	24	24	365			56 1/2		61 1/2					32 1/4				
	30	30	397			62 1/2		67 1/2					38 1/4				
	36	36	425			68 1/2		73 1/2					44 1/4				
42	42	457	74 1/2	79 1/2	50 1/4												
5 7/16	JHT14-5507-18	JHT14-18	876	136,700	10 3/16	55	4	61	12	1 1/2	7	22 1/2	18	23 1/2	4	1 3/4	1293
	30	30	1003			67		73					30				
	42	42	1130			79		85					42				
5 1/8	JHT15-5515-18	JHT15-18	878	136,700	10 3/16	55	4 1/16	61	12	1 1/2	7	22 1/2	18	23 1/2	4	1 3/4	1300
	JHT15-5600-30	30	995			67		73					30				
	42	42	1121			79		85					42				
6 7/16 6 1/8 7	JHT16-5607-18	JHT16-18	876	136,700	10 3/16	55	4 3/8	61	12	1 1/2	7	22 1/2	18	23 1/2	4	1 3/4	1304
	JHT16-5615-30	30	1003			67		73					30				
	JHT16-6700-42	42	1130			79		85					42				

NOTES: 1) Dimensions subject to change. Certified dimensions of ordered material furnished on request.
2) For takeup blocks, see page 5.

† Allowable working load is 2/3 yield strength.

Heavy Duty Head-End Takeups JGT-2000 / JGT-5000

- Apply downward loads only
- Welded steel frame



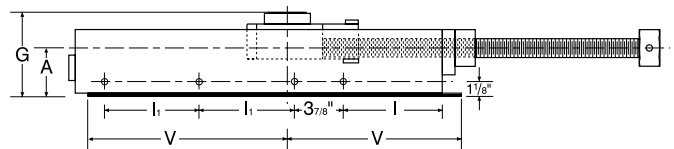
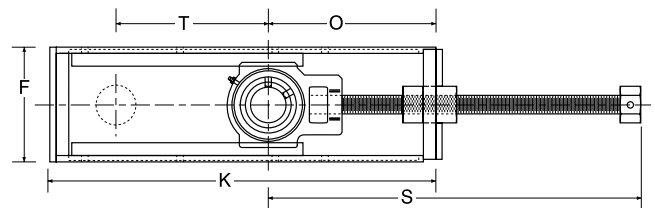
SHAFT DIA.	COMPLETE ASSY. NUMBER	FRAME ASSY. ONLY	ALLOWABLE WORKING LOAD †	A	B	C	E	F	G	H	I	K	TRAVEL T	S	BOLT SIZE	TAKEUP WT.
1 15/16 2	JGT6-2115-6 JGT6-2200-6	JGT6-6	12,300	3 9/16	10	3 19/16	4	12	4	1/2	1 3/4	16 3/4	6	15 1/16	1/2	47
2 7/16 2 1/2	JGT8-2207-7 JGT8-2208-7	JGT8-7	20,900	4 1/8	11	4 9/8	4 15/16	13 1/2	4	3/4	2	19 7/16	7	18 3/4	5/8	74 74
2 11/16 2 3/4 2 15/16 3	JGT9-2211-7 JGT9-2212-7 JGT9-2215-7 JGT9-2300-7	JGT9-7	26,800	4 9/8	12	4 7/8	5 1/4	14 1/2	5	3/4	2 1/2	20 7/8	7	17 7/8	5/8	101 101 100 100
3 7/16 3 1/2	JGT10-2307-10 JGT10-2308-10	JGT10-10	27,300	5 1/8	13	5 5/16	6	16	5	3/4	3	25 1/16	10	23 3/16	3/4	140 140
3 11/16 3 15/16 4	JGT11-2311-10 JGT11-2315-10 JGT11-2400-10	JGT11-10	45,400	5 13/16	14	6 1/4	8 1/4	17	5	3/4	3	27 3/4	10	26 7/16	3/4	214 211 210
4 7/16 4 1/2	JGT12-5407-10 JGT12-5408-10	JGT12-10	53,700	6 13/16	17	6 1/4	9 1/4	20	6	3/4	3 1/2	32 1/4	10 1/2	29 1/2	7/8	260 260
4 15/16 5	JGT13-5415-10 JGT13-5500-10	JGT13-10	68,000	7 3/16	18	7 7/8	9 7/16	21	6	3/4	3 1/2	34 5/8	10 1/2	31 3/4	7/8	329 326

NOTES: 1) Dimensions subject to change. Certified dimensions of ordered material furnished on request.
2) For takeup blocks, see page 5.

† Allowable working load is 2/3 yield strength.

Heavy Duty Boot-End Takeups JFT-2000

- Sliding sealing plate with felt backing
- Welded steel frame



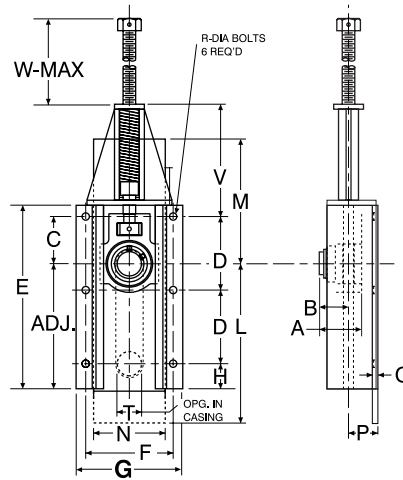
SHAFT DIA.	COMPLETE ASSY. NUMBER	FRAME ASSY. ONLY	A	F	G	I	I1	K	TRAVEL T	O	S	V	BOLT SIZE	TAKEUP WT.
1 15/16	JFT6-2115-9	JFT6-9	3 11/16	7 3/16	5 13/16	5 1/2	6	23 1/2	9	10 9/16	21 3/4	11	1/2	74
2 7/16	JFT8-2207-12	JFT8-12	3 15/16	8 5/16	6 1/8	7 1/16	7 1/2	28 5/8	12	12 7/16	27	14	1/2	96
2 15/16	JFT9-2215-12	JFT9-12	4 3/8	8 5/8	6 3/4	8 3/4	7 1/2	30 3/8	12	13 7/8	28 5/8	14	1/2	125

NOTES: 1) Dimensions subject to change. Certified dimensions of ordered material furnished on request.
2) For takeup blocks, see page 5.

Compensating Foot Takeups Type CU

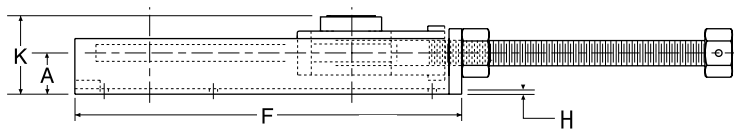
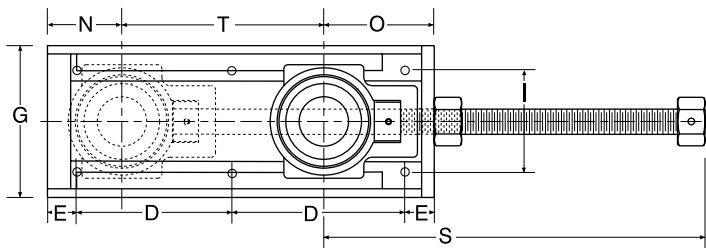
Jones

- Self-aligning HD roller bearing
- Sleeve bearing available
- Spring loaded
- Welded steel frame



SHAFT DIA.	ADJ.	A	B	C	D	E	F	G	H	L	M	N	P	Q	R	T	V	W	WT.
1 ⁷ / ₁₆	6 ¹ / ₈	2 ⁷ / ₈	1 ⁷ / ₈	2 ⁷ / ₈	4 ¹ / ₂	11 ⁵ / ₁₆	6 ¹ / ₂	7 ³ / ₄	1 ³ / ₄	13 ³ / ₄	7 ⁵ / ₈	5 ³ / ₈	2 ⁵ / ₈	7 ¹ / ₁₆	3 ³ / ₈	1 ³ / ₄	4 ⁷ / ₈	6 ⁷ / ₈	28
1 ¹⁵ / ₁₆	8	3 ¹ / ₈	1 ²⁹ / ₃₂	3 ¹ / ₂	5 ³ / ₄	14 ³ / ₈	7 ¹ / ₄	8 ⁷ / ₈	2 ¹ / ₄	18 ¹ / ₄	10 ¹ / ₄	6 ¹ / ₄	2 ¹³ / ₁₆	7 ¹ / ₁₆	1 ¹ / ₂	2 ¹ / ₄	6 ¹ / ₄	9 ¹ / ₈	45
2 ⁷ / ₁₆	10	3 ¹ / ₂	2 ³ / ₁₆	4 ³ / ₄	7 ³ / ₈	18 ³ / ₈	8 ³ / ₄	10 ¹ / ₄	2 ¹ / ₂	22 ¹ / ₂	12 ¹ / ₂	7 ⁵ / ₈	3 ³ / ₁₆	5 ⁵ / ₈	1 ¹ / ₂	2 ³ / ₄	7 ¹ / ₄	11 ⁵ / ₈	67
2 ¹⁵ / ₁₆	12	4	2 ⁷ / ₁₆	5 ⁵ / ₈	9	22 ³ / ₄	10 ¹ / ₈	11 ⁷ / ₈	3 ³ / ₈	27 ¹ / ₂	15 ¹ / ₂	8 ¹ / ₂	3 ⁵ / ₈	5 ⁵ / ₈	5 ⁵ / ₈	3 ¹ / ₄	9 ⁷ / ₈	13 ¹ / ₄	111

NOTES: 1) All bearings fitted with 1/8" Alemite button head fittings.
2) For takeup blocks, see page 5.



Normal Duty Takeup Assembly JAT-2000

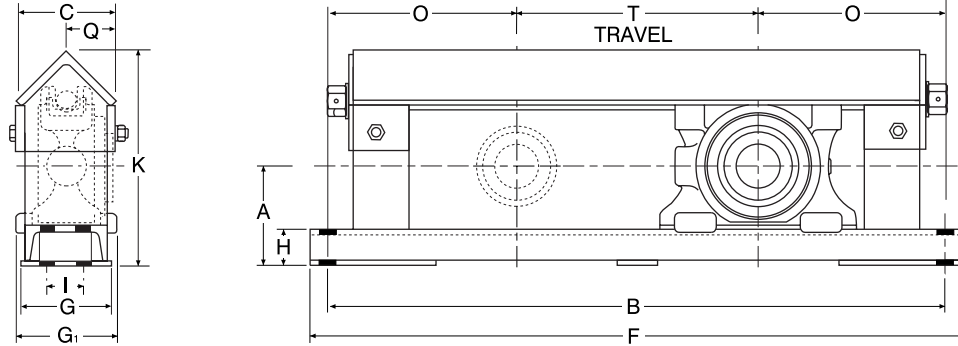
- Self-aligning roller bearing
- Welded steel frame
- Economical design

SHAFT DIA.	COMPLETE ASSY. NUMBER	FRAME ASSY. ONLY	A	D	E	F	G	H	I	K	TRAVEL T	N	O	S	BOLTS REQ.		TAKEUP WT.
															NO.	SIZE	
1 ⁷ / ₁₆	JAT4-2107-9	JAT4-9	1 ⁷ / ₈	6 ⁷ / ₁₆	1 ¹ / ₂	15 ⁷ / ₈	5 ⁹ / ₁₆	3 ¹ / ₁₆	3 ⁹ / ₁₆	3 ³ / ₈	9	3	3 ³ / ₈	15	6	1 ¹ / ₂	18.4
1 ¹¹ / ₁₆	JAT5-2111-9	JAT6-9	2	7	1 ¹ / ₂	17	5 ¹³ / ₁₆	1 ¹ / ₄	4 ¹ / ₁₆	3 ⁷ / ₈	9	3 ¹ / ₄	4 ³ / ₄	16	6	1 ¹ / ₂	26.8
1 ¹⁵ / ₁₆	JAT5-2115-9	JAT6-9	2	7	1 ¹ / ₂	17	5 ¹³ / ₁₆	1 ¹ / ₄	4 ¹ / ₁₆	3 ⁷ / ₈	9	3 ¹ / ₄	4 ³ / ₄	16	6	1 ¹ / ₂	27.1
2 ³ / ₁₆	JAT7-2203-9	JAT7-9	2	7 ¹ / ₂	1 ¹ / ₂	18	6 ⁹ / ₁₆	1 ¹ / ₄	4 ¹³ / ₁₆	4	9	3 ⁹ / ₁₆	5 ⁷ / ₁₆	16 ¹⁵ / ₁₆	6	1 ¹ / ₂	33.7
2 ⁷ / ₁₆	JAT8-2207-12	JAT8-12	2 ¹ / ₄	6 ¹ / ₁₆	1 ³ / ₄	21 ¹¹ / ₁₆	7 ⁹ / ₁₆	1 ⁵ / ₁₆	5 ¹ / ₁₆	4 ⁷ / ₁₆	12	3 ¹³ / ₁₆	5 ⁷ / ₈	20 ³ / ₄	8	1 ¹ / ₂	51.0
2 ¹⁵ / ₁₆	JAT9-2115-12	JAT9-12	2 ⁷ / ₁₆	6 ¹ / ₂	1 ³ / ₄	23	8 ¹ / ₈	5 ⁵ / ₁₆	5 ³ / ₈	4 ⁷ / ₈	12	4 ¹ / ₄	6 ³ / ₄	21 ³ / ₄	8	1 ¹ / ₂	75.0

NOTES: 1) Dimensions subject to change. Certified dimensions of ordered material furnished on request.
2) For takeup blocks, see page 5.

Protected Screw Takeup Assembly JNT-2000

- 2000 Series roller bearing
- Normal duty rating
- Welded steel frame



SHAFT SIZE	COMPLETE ASSY. NUMBER	BLOCK WT.	FRAME ASSY. NUMBER	ALLOWABLE WORKING LOAD †	A	B	C	F	G	G1	H	I	K	TRAVEL T	O	Q	REQ. BOLTS		TOTAL WT. LBS.	
																	NO.	SIZE		
1 1/16 2	JNT6-2115- JNT6-2200-	12	13.0	JNT6- 12	3,000	3 1/16	26 1/2	2 7/8	28 1/2	3 1/2	4 1/8	1 3/4	...	8 1/4	12	7 1/4	1 7/8	2	5/8	51
		18	12.8			18	32 1/2	34 1/2	18	75										
		24	24			24	38 1/2	40 1/2	63											
		30	30			30	44 1/2	46 1/2	70											
		36	36			36	50 1/2	52 1/2	36	75										
2 3/16	JNT7-2203-	12	17.3	JNT7- 12	3,600	4 3/16	27 1/2	3 1/8	29 1/2	3 1/2	4 1/8	1 3/4	...	8 1 1/16	12	7 3/4	2	2	5/8	57
		18	18			18	33 1/2	35 1/2	62											
		24	24			24	39 1/2	41 1/2	67											
		30	30			30	45 1/2	47 1/2	72											
		36	36			36	51 1/2	53 1/2	77											
2 1/16 2 1/2	JNT8-2007- JNT8-2208-	12	21.4	JNT8- 12	4,400	4 7/8	28 1/2	3 3/8	30 1/2	3 1/2	4 1/8	1 3/4	...	9 1/4	12	8 1/4	2 1/8	2	3/4	62
		18	21.1			18	34 1/2	36 1/2	67											
		24	24			24	40 1/2	42 1/2	72											
		30	30			30	46 1/2	48 1/2	77											
		36	36			36	52 1/2	54 1/2	82											
2 1 1/16 2 3/4 2 15/16 3	JNT9-2211- JNT9-2212- JNT9-2215- JNT9-2300-	12	31.0	JNT9- 12	6,800	5 1/8	30 1/2	3 7/8	32 1/2	4 1/2	5 1/8	2	2	10 1 3/16	12	9 1/4	2 3/8	4	3/4	100
		18	30.6			18	36 1/2	38 1/2	109											
		24	29.8			24	42 1/2	44 1/2	119											
		30	29.2			30	48 1/2	50 1/2	128											
		36	36			36	54 1/2	56 1/2	136											
3 1/16 3 1/2	JNT10-2307- JNT10-2308-	12	44.0	JNT10- 12	8,400	5 7/8	32	4 1/32	34 1/4	4 1/2	5 7/8	2	2	12 7/16	12	10	2 1 9/32	4	3/4	123
		18	43.5			18	38	40 1/4	132											
		24	24			24	44	46 1/4	142											
		30	30			30	50	52 1/4	151											
		36	36			36	56	58 1/4	159											
3 1 1/16 3 15/16 4	JNT11-2311- JNT11-2315- JNT11-2400-	12	85.0	JNT11- 12	15,600	7	36	4 1 9/32	38 1/2	5 1/2	6 7/8	2 1/4	2 1/2	14 5/8	12	12	23 1/32	4	3/4	215
		18	83.0			18	42	44 1/2	226											
		24	82.0			24	48	50 1/2	238											
		30	30			30	54	56 1/2	249											
		36	36			36	60	62 1/2	261											

NOTES: 1) Dimensions subject to change. Certified dimensions of ordered material furnished on request.

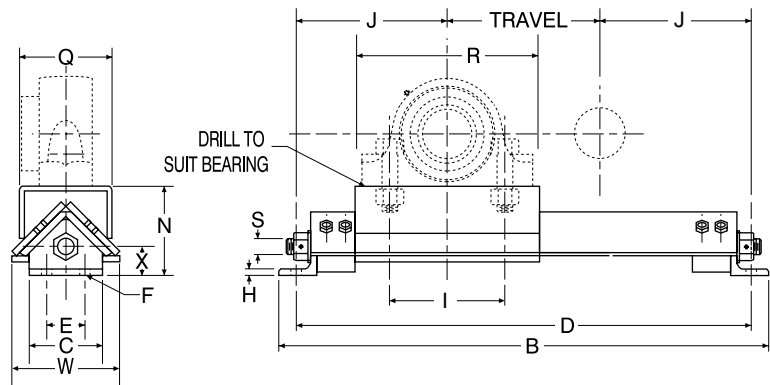
† Allowable working load is 2/3 yield strength.

Pillow Block Takeup Frames

Type TFT

Jones

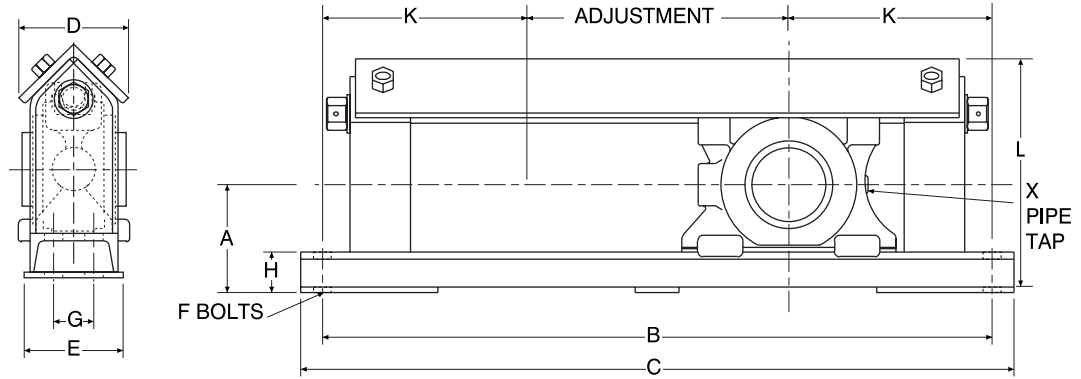
- All-steel frame
- Suitable for severe service
- Fully protected Acme thread adjusting screw
- Mounting for customer-preferred pillow blocks



FRAME SIZE	TRAVEL	B	C	D	E	BOLT DIA. F	H	I (5)		J	N	SADDLE DIM.		SCREW DIA. S	X	W	TAKE UP WT.	
								MAX.	MIN.			Q	R					
200	12	31	5	29	2½	⅝	⅜	9⅛	41⅙	8½	5¼	4	11	1	1⅞	6⅞	69	
	18	37		35														75
	24	43		41														80
	30	49		47														88
	36	55		53														93
	48	67		65														106
250	12	35¼	6	32¾	3	⅝	⅜	10⅞	51⅙	10¾	6¼	5	13¼	1	1½	8¼	84	
	18	41¼		38¾														91
	24	47¼		44¾														99
	30	53¼		50¾														107
	36	59¼		56¾														114
	48	71¼		68¾														129
300	12	38¼	5¾	35½	3	¾	½	11⅞	67/16	11¾	7	5¼	14¼	1¼	2¼	8½	140	
	18	44¼		41½														150
	24	50¼		47½														160
	30	56¼		53½														170
	36	62¼		59½														180
	48	74¼		71½														200
350	12	40	5¾	37¼	3	¾	½	13⅞	7½	12⅞	7	6	16	1¼	2¼	8½	148	
	18	46		43¼														158
	24	52		49¼														168
	30	58		55¼														180
	36	64		61¼														190
	48	76		73¼														210
400	12	44	5¾	41¼	3	¾	½	17½	9	14⅞	7	7¼	20	1¼	2¼	8½	179	
	18	50		47¼														189
	24	56		53¼														199
	30	62		59¼														209
	36	68		65¼														219
	48	80		77¼														239
500	12	49½	7	47	4	⅞	½	21	10¾	17½	7¾	8½	23½	1½	27/16	10½	253	
	18	55½		53														266
	24	61½		59														278
	30	67½		65														291
	36	73½		71														304
	48	85½		83														330

- NOTES:
- 1) Dimensions subject to change. Certified dimensions of ordered material furnished on request.
 - 2) 200 through 350 frames will accommodate pillow blocks on saddles which are slotted for two-bolt blocks.
 - 3) When using four-bolt blocks or on frames 400 and larger, please specify:
 - Bore size of pillow block
 - Type of block (customer's preference)
 - Whether block is two- or four- bolt style
 - Frame travel
 - 4) Sizes not listed will be priced on applications.
 - 5) Slots for bearing bolts will be supplied at maximum range for specified bearing.

- Hinged or removable top frame
- Protected screw
- Babbitt bearing
- Bronze bearing available
- Relubricatable



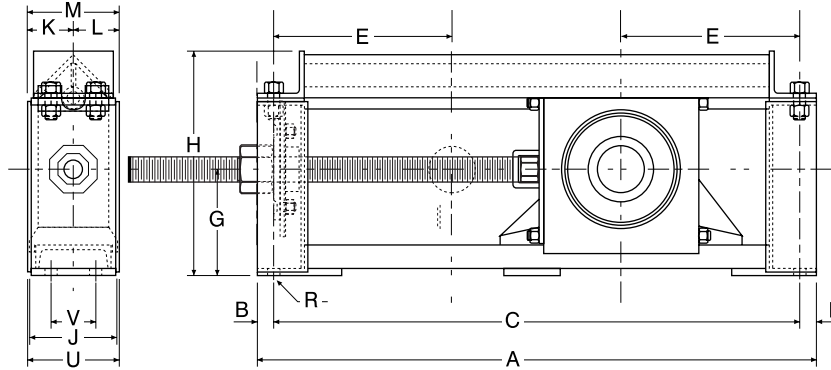
SHAFT DIA.	ADJ. *	TAKEUP NO.	A	B	C	D	E	BOLTS F	G	H	K	L	X
1 ¹⁵ / ₁₆	12 18	JSB-2831-12 JSB-2831-18	3 ¹ / ₄	26 ¹ / ₂ 32 ¹ / ₂	29 ¹ / ₂ 35 ¹ / ₂	4	3	5 ⁸ / ₈	...	1 ³ / ₄	7 ³ / ₄	7 ¹ / ₄	1 ¹ / ₄
2 ³ / ₁₆	12 18	JSB-2835-12 JSB-2835-18	3 ³ / ₈	27 ¹ / ₂ 33 ¹ / ₂	29 ¹ / ₂ 35 ¹ / ₂	4	3	5 ⁸ / ₈	...	1 ³ / ₄	7 ³ / ₄	7 ¹ / ₄	3 ⁸ / ₈
2 ⁷ / ₁₆	12 18 24	JSB-2839-12 JSB-2839-18 JSB-2839-24	3 ¹ / ₂	28 ¹ / ₂ 34 ¹ / ₂ 40 ¹ / ₂	30 ¹ / ₂ 36 ¹ / ₂ 42 ¹ / ₂	5	3	3 ⁴ / ₄	...	1 ³ / ₄	8 ¹ / ₄	7 ¹ / ₂	3 ⁸ / ₈
2 ¹⁵ / ₁₆	12 18 24	JSB-2847-12 JSB-2847-18 JSB-2847-24	4 ¹ / ₈	30 ¹ / ₂ 36 ¹ / ₂ 42 ¹ / ₂	32 ¹ / ₂ 38 ¹ / ₂ 44 ¹ / ₂	6	4	5 ⁸ / ₈	2	2	9 ¹ / ₄	8 ³ / ₄	3 ⁸ / ₈
3 ⁷ / ₁₆	12 18 24	JSB-2855-12 JSB-2855-18 JSB-2855-24	4 ¹ / ₂	32 38 44	34 ¹ / ₄ 40 ¹ / ₄ 46 ¹ / ₄	7	4	3 ⁴ / ₄	2	2	10	9 ¹¹ / ₁₆	1 ¹ / ₂
3 ¹⁵ / ₁₆	12 18 24	JSB-2863-12 JSB-2863-18 JSB-2863-24	5	36 42 48	38 ¹ / ₂ 44 ¹ / ₂ 50 ¹ / ₂	8	5	3 ⁴ / ₄	2 ¹ / ₂	2 ¹ / ₄	12	10 ¹⁵ / ₁₆	1 ¹ / ₂

- NOTES:
- 1) Dimensions subject to change. Certified dimensions of ordered material furnished on request.
 - 2) One pipe-tapped hole for lubrication. Grease cup or lubrication fitting not included.
 - 3) * Takeups with adjustment of 18" or more have center supported pad welded to bottom of frame.
 - 4) Allowable working load is 2/3 yield strength.

Extra Heavy Duty Protected Screw Takeups JPS-3800

Jones

- Welded steel frame
- Split bearing housing
- Protected screw
- Self-aligning tapered roller bearings
- Tapered adapter mounted



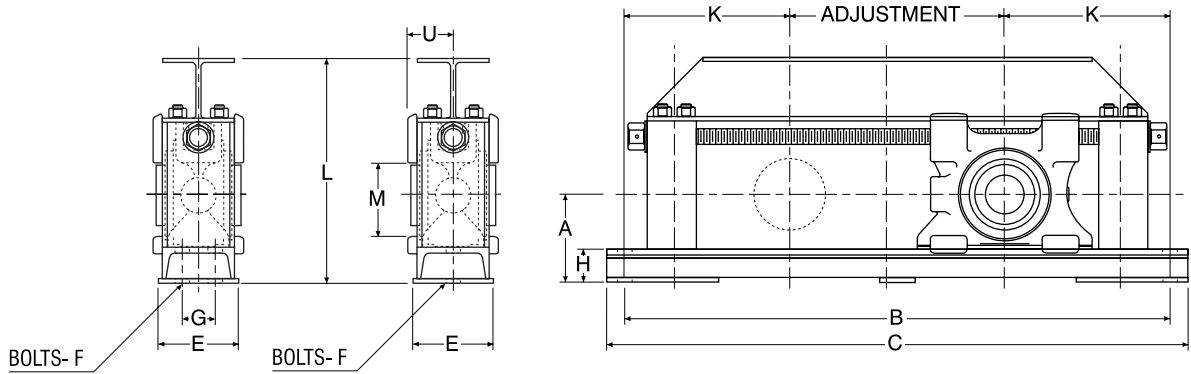
STANDARD SHAFT SIZE	ASSEMBLY	TRAVEL	A	B	C	E	G	H	J	K	L	M	BOLT R	U	V	NET WT.
1 ¹⁵ / ₁₆	JPS-3831-12	12	32	1 ¹ / ₈	29 ³ / ₄	8 ⁷ / ₈	5 ⁵ / ₈	11 ³ / ₄	4 ¹ / ₂	2 ³ / ₁₆	1 ¹⁵ / ₁₆	4 ¹ / ₈	5 ⁵ / ₈	5	2 ¹ / ₄	90
	JPS-3831-18	18	38		35 ³ / ₄											95
	JPS-3831-24	24	44		41 ³ / ₄											105
2 ³ / ₁₆	JPS-3835-12	12	33 ¹ / ₂	1 ¹ / ₈	31 ¹ / ₄	9 ⁵ / ₈	5 ¹⁵ / ₁₆	12 ³ / ₈	4 ¹ / ₂	2 ³ / ₈	2 ¹ / ₁₆	4 ⁷ / ₁₆	5 ⁵ / ₈	5	2 ¹ / ₄	105
	JPS-3835-18	18	39 ¹ / ₂		37 ¹ / ₄											115
	JPS-3835-24	24	45 ¹ / ₂		43 ¹ / ₄											125
2 ⁷ / ₁₆	JPS-3839-12	12	36	1 ¹ / ₄	33 ¹ / ₂	10 ³ / ₄	6 ⁹ / ₁₆	13 ³ / ₄	5 ⁵ / ₈	2 ⁵ / ₈	2 ⁵ / ₁₆	4 ¹⁵ / ₁₆	3 ³ / ₄	6	3	155
	JPS-3839-18	18	42		39 ¹ / ₂											165
	JPS-3839-24	24	48		45 ¹ / ₂											175
	JPS-3839-30	30	54		51 ¹ / ₂											185
2 ¹⁵ / ₁₆	JPS-3847-12	12	39	1 ¹ / ₄	36 ¹ / ₂	12 ¹ / ₄	7 ¹ / ₈	14 ⁷ / ₈	5 ⁵ / ₈	3 ¹ / ₁₆	2 ⁵ / ₈	5 ¹¹ / ₁₆	3 ³ / ₄	6	3	205
	JPS-3847-18	18	45		42 ¹ / ₂	12 ¹ / ₄										220
	JPS-3847-24	24	50 ⁷ / ₈		48 ³ / ₈	12 ³ / ₁₆										235
	JPS-3847-30	30	56 ⁷ / ₈		54 ³ / ₈	12 ³ / ₁₆										245
3 ⁷ / ₁₆	JPS-3855-12	12	43	1 ³ / ₈	40 ¹ / ₄	14 ¹ / ₈	8 ¹ / ₂	17 ⁵ / ₈	6 ³ / ₄	3 ⁷ / ₁₆	2 ¹⁵ / ₁₆	6 ³ / ₈	7 ⁷ / ₈	7 ¹ / ₈	3 ¹ / ₂	315
	JPS-3855-18	18	48 ⁷ / ₈		46 ¹ / ₈	14 ¹ / ₁₆										330
	JPS-3855-24	24	54 ⁷ / ₈		52 ¹ / ₈	14 ¹ / ₁₆										345
	JPS-3855-30	30	60 ⁷ / ₈		58 ¹ / ₈	14 ¹ / ₁₆										360
3 ¹⁵ / ₁₆	JPS-3863-12	12	47 ⁷ / ₈	1 ¹ / ₂	44 ⁵ / ₈	16 ⁵ / ₁₆	9 ³ / ₄	20 ¹ / ₂	8	4 ³ / ₈	4 ³ / ₈	8 ³ / ₄	1	8 ¹ / ₈	4	490
	JPS-3863-18	18	53 ⁵ / ₈		50 ⁵ / ₈	16 ⁹ / ₁₆										510
	JPS-3863-24	24	59 ¹ / ₂		56 ¹ / ₂	16 ¹ / ₄										535
	JPS-3863-30	30	65 ¹ / ₂		62 ¹ / ₄	16 ¹ / ₄										555
4 ⁷ / ₁₆	JPS-3871-18	18	56 ¹ / ₈	1 ⁵ / ₈	52 ⁷ / ₈	17 ⁷ / ₁₆	10 ⁹ / ₁₆	21 ³ / ₄	8	4 ¹¹ / ₁₆	4 ¹¹ / ₁₆	9 ³ / ₈	1 ¹ / ₈	8 ¹ / ₄	4	635
	JPS-3871-24	24	62 ¹ / ₄	1 ⁵ / ₈	59	17 ¹ / ₂										660
	JPS-3871-30	30	68 ¹ / ₄	1 ⁵ / ₈	65	17 ¹ / ₂										680
	JPS-3871-36	36	74	1 ³ / ₄	70 ¹ / ₂	17 ¹ / ₂										720
4 ¹⁵ / ₁₆	JPS-3879-18	18	59 ¹ / ₂	1 ³ / ₄	56	19	11 ⁵ / ₁₆	23 ¹ / ₂	9	5	5	10	1 ¹ / ₄	9 ³ / ₈	4 ³ / ₄	800
	JPS-3879-24	24	65 ¹ / ₂	1 ³ / ₄	62	19										820
	JPS-3879-30	30	71 ¹ / ₂	1 ³ / ₄	68	19										850
	JPS-3879-36	36	77	2	73	18 ¹ / ₂										890

- NOTES: 1) Dimensions subject to change. Certified dimensions of ordered material furnished on request.
 2) For special shaft sizes not listed contact Jones Bearing.
 3) For takeup blocks/spherical units, see pg. 6.

I-Frame Heavy Duty Takeups

JSH-B22500H

- Extra-strength welded steel frame
- Self-aligning
- Spring locking collar
- Factory adjusted & sealed



SHAFT DIA.	ADJ.	TAKEUP NO.	A	B	C	E	Bolts F	G	H	K	L	M	U
1 ⁵ / ₁₆	12	JSH-B22531H-12	3 ¹ / ₁₆	27 ¹ / ₂	29 ¹ / ₂	3 ¹ / ₂	5/8	...	1 ³ / ₄	7 ³ / ₄	10 ⁵ / ₈	2 ¹ / ₁₆	12 ²⁹ / ₃₂
	18	JSH-B22531H-18		33 ¹ / ₂	35 ¹ / ₂								
	24	JSH-B22531H-24		39 ¹ / ₂	41 ¹ / ₂								
2 ³ / ₁₆	12	JSH-B22535H-12	4 ⁷ / ₁₆	27 ¹ / ₂	29 ¹ / ₂	4 ¹ / ₂	5/8	...	2	7 ³ / ₄	11 ¹ / ₄	3 ³ / ₈	2 ¹ / ₁₆
	18	JSH-B22535H-18		33 ¹ / ₂	35 ¹ / ₂								
	24	JSH-B22535H-24		39 ¹ / ₂	41 ¹ / ₂								
2 ⁷ / ₁₆	12	JSH-B22539H-12	4 ⁵ / ₈	28 ¹ / ₂	30 ¹ / ₂	4 ¹ / ₂	3/4	...	2	8 ¹ / ₄	12 ³ / ₄	3 ⁵ / ₈	2 ³ / ₁₆
	18	JSH-B22539H-18		34 ¹ / ₂	36 ¹ / ₂								
	24	JSH-B22539H-24		40 ¹ / ₂	42 ¹ / ₂								
2 ¹ / ₂	12	JSH-B22547H-12	5 ¹ / ₈	30 ¹ / ₂	32 ¹ / ₂	4 ¹ / ₂	5/8	2	2	9 ¹ / ₄	13 ⁷ / ₈	4 ³ / ₁₆	2 ⁷ / ₁₆
	18	JSH-B22547H-18		36 ¹ / ₂	38 ¹ / ₂								
	24	JSH-B22547H-24		42 ¹ / ₂	44 ¹ / ₂								
	30	JSH-B22547H-30		48 ¹ / ₂	50 ¹ / ₂								
	36	JSH-B22547H-36		54 ¹ / ₂	56 ¹ / ₂								
3 ⁷ / ₁₆	12	JSH-B22555H-12	5 ⁵ / ₈	32	34 ¹ / ₄	4 ¹ / ₂	3/4	2	2	10	15	5	2 ² / ₃₂
	18	JSH-B22555H-18		38	40 ¹ / ₄								
	24	JSH-B22555H-24		44	46 ¹ / ₄								
	30	JSH-B22555H-30		50	52 ¹ / ₄								
	36	JSH-B22555H-36		56	58 ¹ / ₄								
3 ¹ / ₂	12	JSH-B22563H-12	7	36	38 ¹ / ₂	5 ¹ / ₂	3/4	2 ¹ / ₂	2 ¹ / ₄	12	17	5 ²⁹ / ₃₂	3 ¹ / ₁₆
	18	JSH-B22563H-18		42	44 ¹ / ₂								
	24	JSH-B22563H-24		48	50 ¹ / ₂								
	30	JSH-B22563H-30		54	56 ¹ / ₂								
	36	JSH-B22563H-36		60	62 ¹ / ₂								

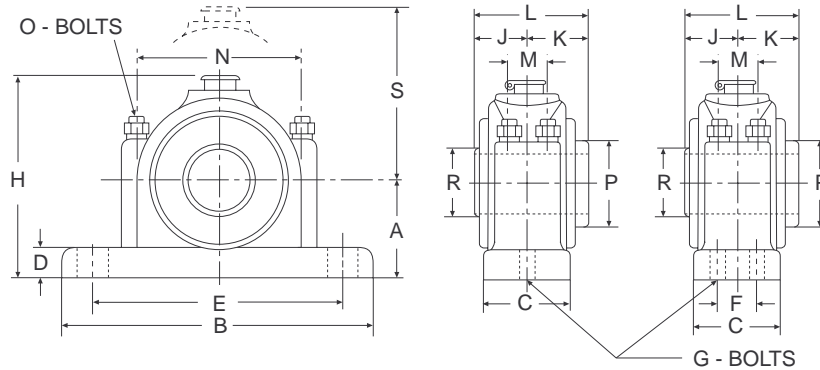
- NOTES:
- 1) Dimensions subject to change. Certified dimensions of ordered material furnished on request.
 - 2) Lubrication fitting tap size: 1/8" PT.
 - 3) Consult Jones for load ratings.

Extra Heavy Duty Pillow Blocks

PB 1000 Series

Jones

- Non-Expansion and Expansion Types



STD. SHAFT SIZE	OTHER SHAFT SIZES †	A	B	C	D	E+ SLOTTED CORED HOLES		DRILLED HOLES ▲	F	G		H	J	K	L	M	N	O	P	R	S	APROX. NET WGT. LBS.
						MIN	MAX			(2) BOLTS	(4) BOLTS											
1 ⁵ / ₁₆	1 ¹ / ₁₆ -2	2 ⁷ / ₈	11 ¹ / ₂	3 ¹ / ₄	1 ¹ / ₈	8 ⁷ / ₈	9 ⁷ / ₈	9 ⁷ / ₈	—	3 ⁴ / ₈	—	6 ⁵ / ₈	1 ¹⁵ / ₁₆	2 ³ / ₁₆	4 ¹ / ₈	1 ¹ / ₂	6	1 ¹ / ₂	3	2 ⁵ / ₁₆	5 ⁷ / ₈	30
2 ³ / ₁₆	2 ¹ / ₁₆ -2 ¹ / ₄	3 ¹ / ₈	12 ¹ / ₂	3 ¹ / ₂	1 ¹ / ₄	9 ¹ / ₂	10 ¹ / ₂	10	—	5 ⁵ / ₈	—	7 ¹ / ₈	2 ¹ / ₁₆	2 ³ / ₈	4 ⁷ / ₁₆	1 ⁵ / ₈	6 ¹ / ₂	1 ¹ / ₂	3 ³ / ₈	2 ⁵ / ₈	6 ³ / ₄	40
2 ⁷ / ₁₆	2 ⁵ / ₈ -2 ⁷ / ₈	4	14 ¹ / ₄	3 ³ / ₈	1 ¹ / ₈	10 ³ / ₄	12 ¹ / ₄	11 ¹ / ₈	2 ¹ / ₄	—	5 ⁵ / ₈	8 ⁵ / ₁₆	2 ⁵ / ₁₆	2 ⁵ / ₈	4 ¹⁵ / ₁₆	1 ³ / ₄	7 ¹ / ₄	5 ⁵ / ₈	3 ³ / ₈	2 ⁷ / ₈	7 ³ / ₁₆	53
2 ¹⁵ / ₁₆	2 ¹ / ₁₆ -2 ¹ / ₄	4 ³ / ₄	15 ¹ / ₂	4 ³ / ₈	1 ¹ / ₂	11 ³ / ₄	13 ¹ / ₄	12 ¹ / ₂	2 ³ / ₄	—	5 ⁵ / ₈	9 ⁵ / ₈	2 ⁵ / ₈	3 ¹ / ₁₆	5 ¹ / ₁₆	2	8 ¹ / ₈	5 ⁵ / ₈	4 ¹ / ₈	3 ³ / ₁₆	7 ¹⁵ / ₁₆	79
3 ¹ / ₁₆	3-3 ¹ / ₂	5 ¹ / ₂	17	5 ¹ / ₄	1 ¹ / ₈	13	14 ¹ / ₂	13 ³ / ₄	3 ¹ / ₄	—	3 ⁴ / ₈	11 ¹ / ₁₆	21 ⁵ / ₁₆	3 ⁷ / ₁₆	6 ³ / ₈	2 ⁵ / ₈	9 ¹ / ₂	3 ⁴ / ₈	5	4	9 ¹ / ₁₆	124
3 ¹⁵ / ₁₆	3 ⁵ / ₈ -4	6 ³ / ₈	20	6 ¹ / ₄	1 ¹ / ₈	5 ¹ / ₂	17 ¹ / ₄	16 ³ / ₈	3 ¹ / ₄	—	7 ⁵ / ₈	13 ⁵ / ₁₆	4 ³ / ₈	4 ³ / ₈	8 ³ / ₄	2 ⁷ / ₈	11 ¹ / ₂	3 ⁴ / ₈	6	6 ³ / ₄	11 ¹ / ₁₆	220
4 ⁷ / ₁₆	4 ¹ / ₈ -4 ¹ / ₂	7 ¹ / ₄	22	6 ¹ / ₂	2 ¹ / ₈	16 ¹ / ₂	18 ¹ / ₂	17 ¹ / ₂	3 ¹ / ₂	—	1	14 ¹ / ₁₆	4 ¹ / ₁₆	4 ¹ / ₁₆	9 ⁵ / ₈	3	12 ³ / ₈	7 ⁵ / ₈	6 ³ / ₄	7	12 ¹ / ₁₆	290
4 ¹⁵ / ₁₆	4 ⁵ / ₈ -5	7 ¹ / ₂	24 ¹ / ₂	7	2 ¹ / ₄	18 ³ / ₄	20 ³ / ₄	19 ³ / ₄	3 ³ / ₄	—	1 ¹ / ₈	15 ³ / ₄	5	5	10	3 ¹ / ₄	14	7 ⁵ / ₈	7	7 ³ / ₄	13 ³ / ₈	365
6	5 ⁷ / ₁₆ -5 ¹⁵ / ₁₆	10	35	8 ¹ / ₄	2 ³ / ₄	27 ³ / ₄	30 ¹ / ₄	29	4 ¹ / ₂	—	1 ¹ / ₄	20 ³ / ₈	6	6	12	3 ⁷ / ₈	17 ¹ / ₂	1 ¹ / ₈	8 ⁵ / ₈	9	17 ¹ / ₄	690
7	6 ⁷ / ₁₆ -6 ¹⁵ / ₁₆	11 ¹ / ₂	39	9 ³ / ₄	3 ¹ / ₄	30 ¹ / ₂	33 ¹ / ₂	32	5 ¹ / ₂	—	1 ¹ / ₂	23 ¹ / ₁₆	6 ³ / ₄	6 ³ / ₄	13 ¹ / ₂	4 ⁵ / ₈	19 ¹ / ₂	1 ¹ / ₄	9 ³ / ₄	10 ¹ / ₂	19 ⁷ / ₁₆	1125
8	7 ⁷ / ₁₆ -7 ¹⁵ / ₁₆	13	44	11 ¹ / ₄	3 ³ / ₈	34 ¹ / ₄	37 ³ / ₄	36	6 ¹ / ₂	—	1 ¹ / ₈	26	7 ⁹ / ₁₆	7 ⁹ / ₁₆	15 ¹ / ₈	5 ¹ / ₄	22	1 ¹ / ₂	11	11 ³ / ₄	22 ³ / ₈	1600
9	8 ⁷ / ₁₆ -8 ¹⁵ / ₁₆	15	49	13	4	38	42	40	8	—	2	30	8 ⁹ / ₁₆	8 ⁹ / ₁₆	17 ¹ / ₈	6	25	1 ³ / ₄	12 ¹ / ₄	13	26 ⁵ / ₈	2100

- NOTES:
- 1) Specify Non-Expansion or Expansion type Pillow Blocks on all orders.
 - 2) Pillow Blocks are normally supplied with slotted cored base bolt holes unless the order specifically states standard drill holes. See E++ Above
 - 3) Pillow Blocks ordered with drilled base bolt holes will be drilled for the same size bolts shown in the table above and will be located by dimension "E" & "F" as noted above. See symbol ▲ above.
 - 4) Pillow Blocks requiring special shaft sizes not listed in other shaft size columns consult Jones for Engineering review. See † symbol above.

To order, specify Jones 1000 Series & Shaft Size: e.g. 3¹⁵/₁₆ Dia. Specify: PB1000 - 3¹⁵/₁₆

User Benefits

Self Alignment is independent of the roller bearing, occurring between the spherical unit and the pillow block housing. Alignment occurs as the spherical unit pivots or slides in the pillow block housing on the machined spherical ring of the spherical housing. This design maintains gaps or labyrinths between the seals and the housing under all conditions of operation, permitting them to be positively sealed with grease.

The outer housing is a two piece design made of sturdy and generously proportioned cast iron. The housing is designed for heavy duty service utilizing a solid casting with no cored sections in the mounting feet to weaken the bearing support. The cap & base are machined as a matched unit to assure close tolerance and precise fit of the spherical unit in the straight bore (expansion type) or the spherical bore (non-expansion type). The two piece construction permits easy removal of the spherical bearing unit and shaft without changing the alignment position.

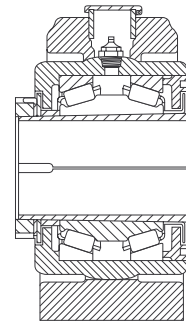
The Timken Tapered Roller Bearings are factory sealed in the spherical unit at the time of assembly and need not be disassembled on the jobsite at the time of installation.

The mounting base is solid under the mounting bolts for a rigid support and is generously proportioned so that a dowel pin may be used if necessary. The slotted, cored base bolt holes simplify mounting and permit maximum lateral adjustment. Cored base holes are standard, but drilled base holes (optional) are available if desired.

The hydraulic type grease fitting mounted in a bushing is fully protected from dust, dirt and possible damage by a spring type dust cap.

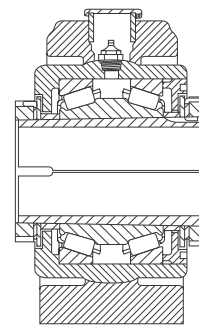
Expansion Pillow Block

Section through an Expansion Type Pillow Block showing the straight bore in the cap and base. This design is used in the adaptor for bearings with shaft diameters of $1\frac{15}{16}$ " to $3\frac{7}{16}$ " inclusive.



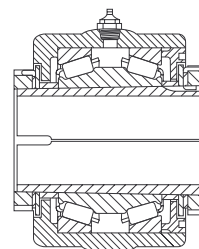
Non-Expansion Pillow Block

Section through a Non-Expansion Type Pillow Block with a spherical bore in the cap and base. This adaptor design with a backing off nut is used for the bearings with shaft diameters of $3\frac{15}{16}$ " to 9" inclusive.



Spherical unit

Section through a spherical unit. Note how the spherical ring will fit in either the straight bore of the expansion type pillow block Housing or in the mating spherical ring bore of the non-expansion type pillow block housing.



Used in either block

Jones

P.O. Box 274 Highway 72 East Pelham, Alabama 35124 USA
phone: 205-663-3002 fax: 205-664-3351