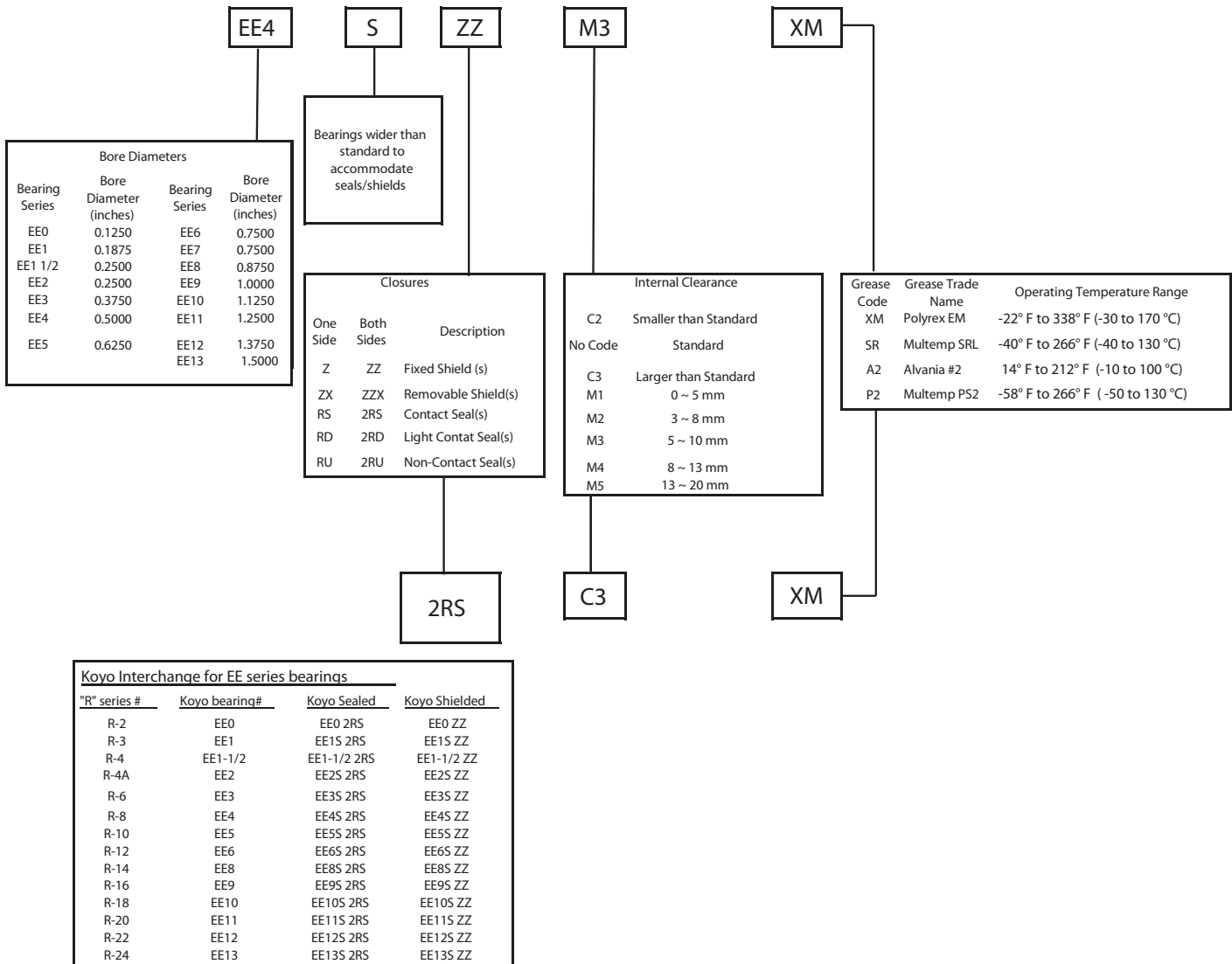


NOMENCLATURE

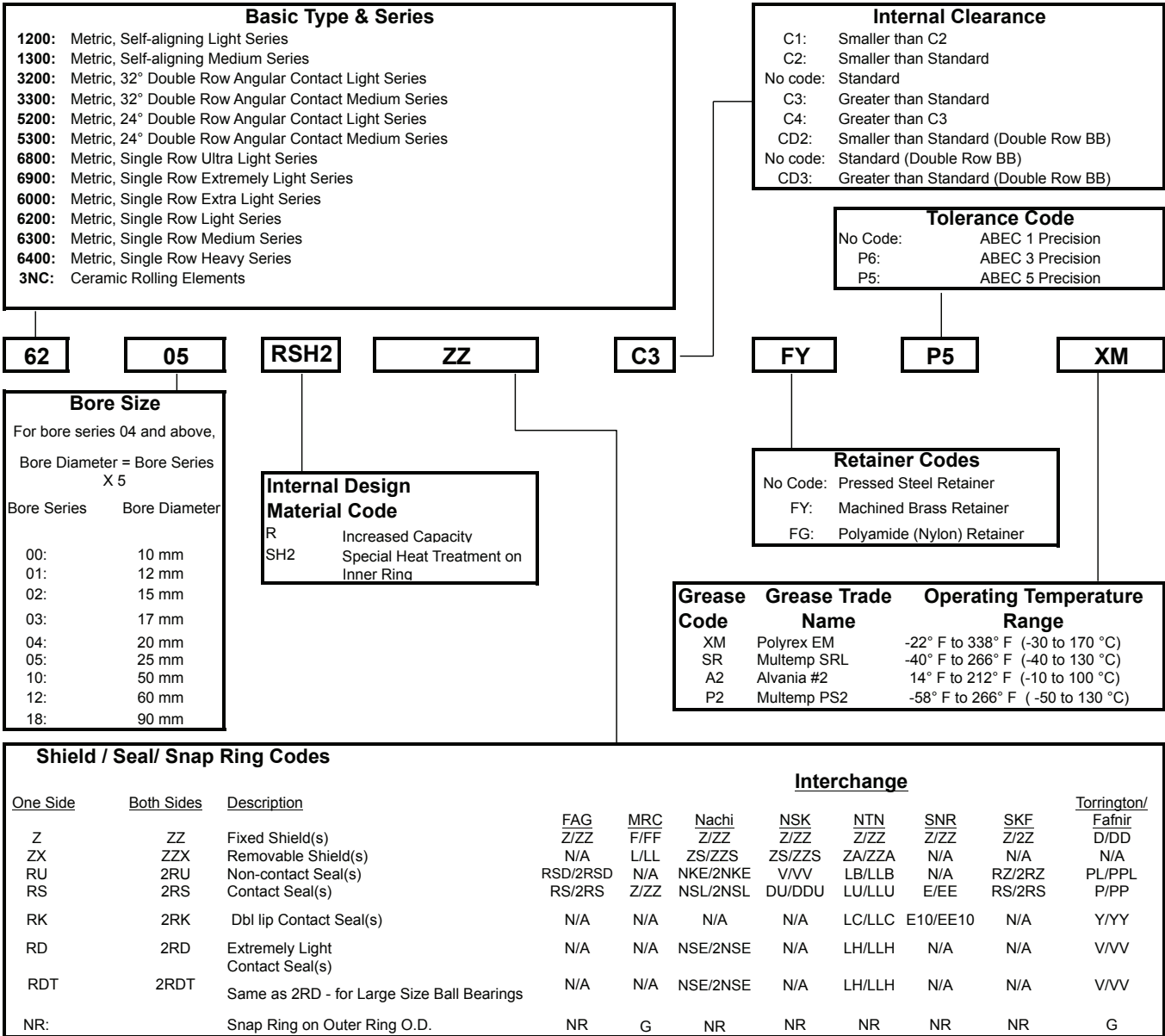
EE Extra Light Inch Series/Miniature Ball Bearings



All products supplied with "C3" clearance on sizes except where otherwise noted.

NOMENCLATURE

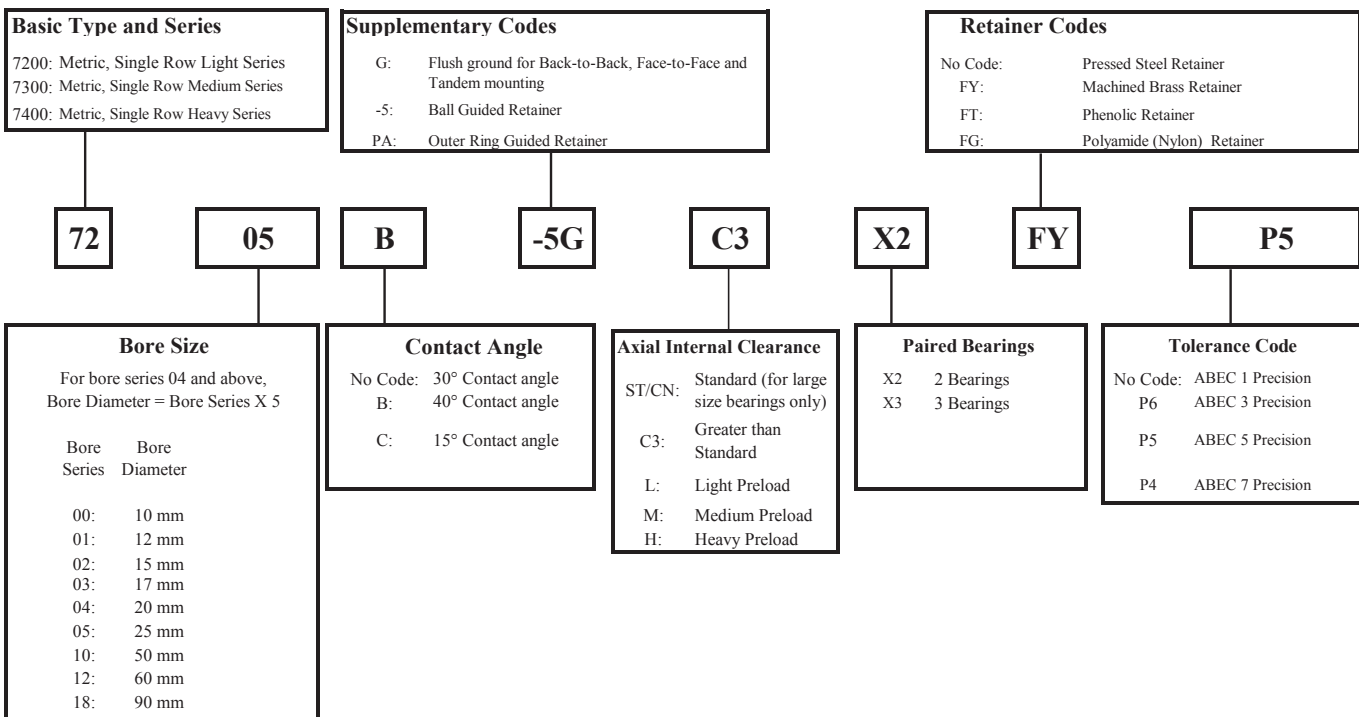
Ball Bearings



All products supplied with "C3" clearance on sizes except where otherwise noted.
 All 1200, 1300, 6800 and 6900 series bearings are standard clearance.

NOMENCLATURE

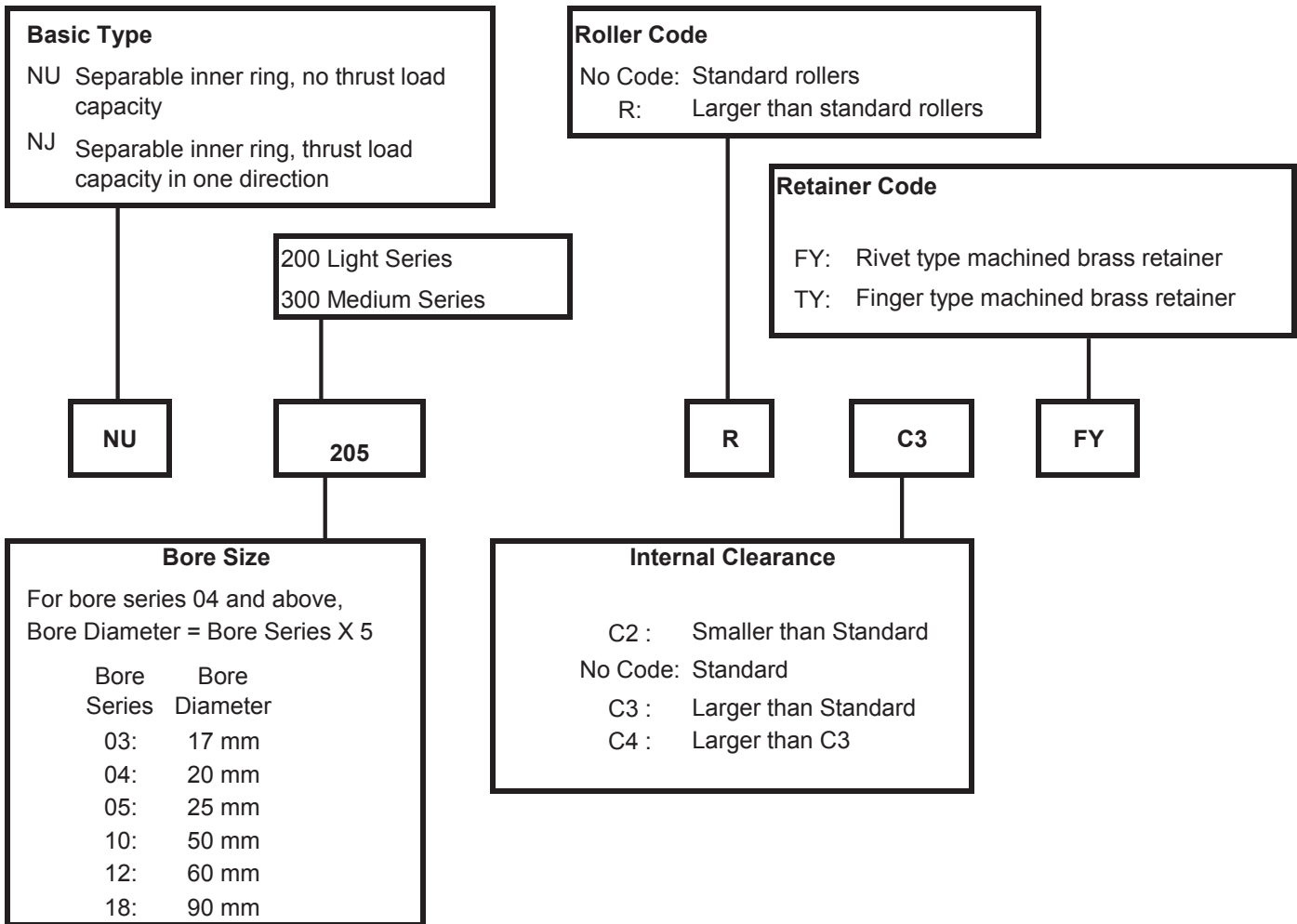
Angular Contact Ball Bearings



All products supplied with "C3" clearance on sizes except where otherwise noted.

NOMENCLATURE

Cylindrical Roller Bearings



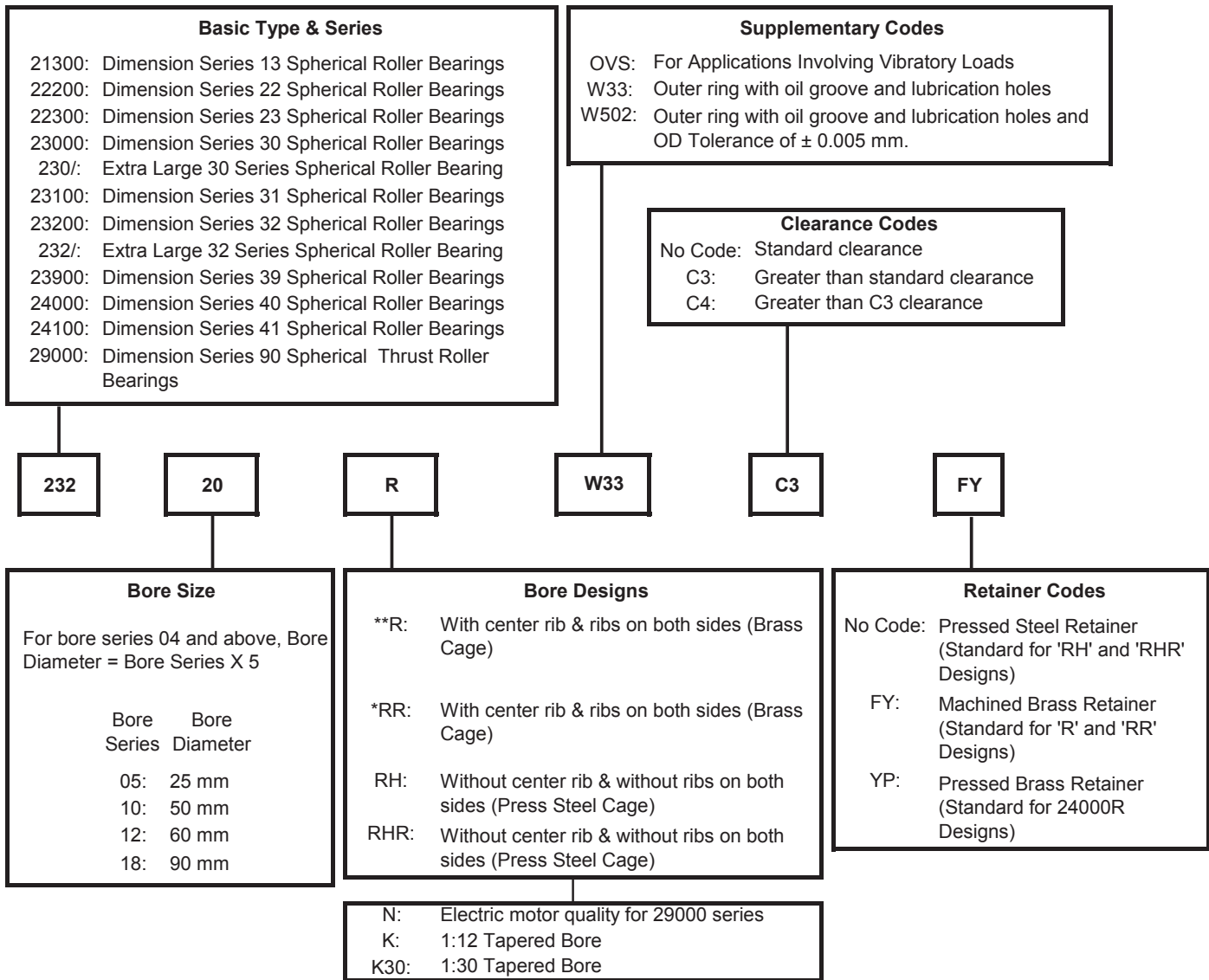
All products supplied with "C3" clearance on sizes except where otherwise noted.

TAPERED SETS AND INTERCHANGES

TAPERED SET NO.	KOYO PART NUMBER		CR BEARING	BCA FEDERAL MOGUL	L & S BEARING	TIMKEN
	CONE	CUP				
K1	LM11749R	LM11710	BR1	A1	S1	SET 1
K2	LM11949	LM11910	BR2	A2	S2	SET 2
K3	M12649	M12610	BR3	A3	S3	SET 3
K4	L44649	L44610	BR4	A4	S4	SET 4
K5	LM48548	LM48510	BR5	A5	S5	SET 5
K6	LM67048	LM67010	BR6	A6	S6	SET 6
K12	LM12749	LM12710	BR12	A12	S12	SET 12
K13	L68149	L68110	BR13	A13	S13	SET 13
K14	L44643R	L44610	BR14	A14	S14	SET 14
K15	L45449	L45410	BR15	A15	S15	SET 15
K16	LM12749	LM12711	BR16	A16	S16	SET 16
K17	L68149	L68111	BR17	A17	S17	SET 17
K18	JL69349	JL69310	BR18	A18	S18	SET 18
K29	LM67049A	LM67010	BR22	A29	S29	SET 22
K35	LM501349	LM501310	BR35	A35	S35	SET 35
K36	LM603049	LM603012	BR36	A36	S36	SET 36
K37	LM603049	LM603011	BR37	A37	S37	SET 37
K38	LM104949	LM104911	BR38	A38	S38	SET 38
K39	JL26749	JL26710	BR39	A39	S39	SET 39
K41	57410 LFT	LM29710	BR41	A41	S41	SET 41

NOMENCLATURE

Spherical Roller and Spherical Thrust Bearings



* Oil hole quantity & dimensions may vary from Koyo Catalog 201AE & 201E.
 Please consult Koyo Engineering department when using locating pins in oil holes.

** 21308 through 21320 same as above.

All products supplied with "C3" clearance on sizes except where otherwise noted.