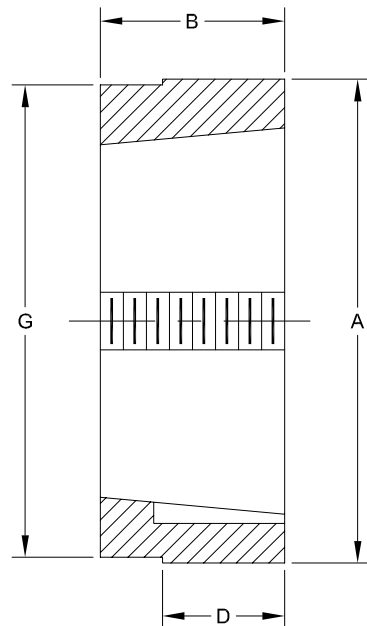


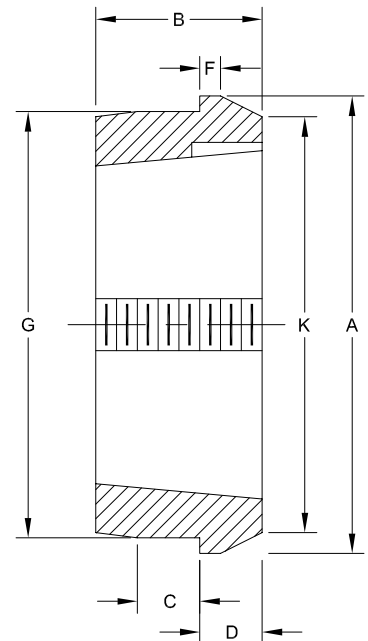
TYPE S - TAPERED WELD-ON HUBS

PART NUMBER	FOR USE WITH BUSHING	MAX BORE OF BUSHING	A	G	B	D	WEIGHT LBS.
S16-4-1610	1610	1 $\frac{5}{8}$	3.0	2 $\frac{7}{8}$	1.0	.725	.9
S16-6-1610	1610	1 $\frac{5}{8}$	3.0	2 $\frac{7}{8}$	1.0	.56	.9
S20-6-2012	2012	2	3 $\frac{9}{16}$	3 $\frac{7}{16}$	1 $\frac{1}{4}$.8	1.8
S20-8-2012	2012	2	3 $\frac{9}{16}$	3 $\frac{7}{16}$	1 $\frac{1}{4}$.68	1.4
S25-6-2517	2517	2 $\frac{1}{2}$	4 $\frac{1}{4}$	4.125	1 $\frac{3}{4}$	1.3	2.6
S25-8-2517	2517	2 $\frac{1}{2}$	4 $\frac{1}{4}$	4.125	1 $\frac{3}{4}$	1.185	2.6
S25-10-2517	2517	2 $\frac{1}{2}$	4 $\frac{1}{4}$	4 $\frac{1}{8}$	1 $\frac{3}{4}$	1.065	2.5
S25-16-2517	2517	2 $\frac{1}{2}$	4 $\frac{1}{4}$	4 $\frac{1}{8}$	1 $\frac{3}{4}$.66	2.4
S30-10-3020	3020	3	5 $\frac{1}{4}$	5 $\frac{1}{8}$	2	1.325	4.3
S30-16-3020	3020	3	5 $\frac{1}{4}$	5 $\frac{1}{8}$	2	.91	4.2
S35-3535	3535	3 $\frac{1}{2}$	6 $\frac{1}{2}$	6 $\frac{3}{8}$	3 $\frac{1}{2}$	2.34	12.8



TYPE W - TAPERED WELD-ON HUBS

PART NUMBER	FOR USE WITH BUSHING	MAX BORE OF BUSHING	A	G	B	C	D	F	K	WEIGHT LBS.
W-12-1210	1210	1 ¼	2 ⅞	2 ½	1	⅜	⅝	⅜	2 ⅝	1.1
W-12-1215	1210 1215	1 ¼	2 ⅞	2 ½	1 ½	⅜	⅝	⅜	2 ⅝	1.3
W-16-1610	1610	1 ⅝	3 ¼	2 ⅞	1	⅜	⅝	⅜	3	1.25
W-16-1615	1610 1615	1 ⅝	3 ¼	2 ⅞	1 ½	⅜	⅝	⅜	3	1.5
W-25-2517	2517	2 ½	4 ⅞	4 ⅜	1 ¾	½	¾	⅜	4 ⅝	4.0
WA-30-3020	3020	3	5 ½	5 ⅛	2	¾	¾	¼	5	4.4
WA-30-3030	3020 3030	3	5 ½	5 ⅛	3.0	¾	¾	¼	5	6.4
WA-35-3535	3535	3 ½	6 ¾	6 ¼	3 ½	1 ¼	1.0	⅜	6	13
WA-40-4040	4040	4	7 ¾	7 ¼	4.0	1 ½	1.0	⅜	7	29
WA-45-4545	4545	4 ½	8 ¾	8.0	4 ½	1 ¾	1.0	⅜	8	42
WA-50-5050	5050	5	9 ½	8 ¾	5	1 ¾	1.0	⅝	8 ¾	57



MOLINE BEARING CO.

Post Office Box 99, Batavia, Illinois 60510, USA
630.584.4600, 800.242.4633, 630.584.1999 fax
www.molinebearing.com, sales@molinebearing.com

TEL # **800.242.4633**

185

QD WELD-ON HUBS

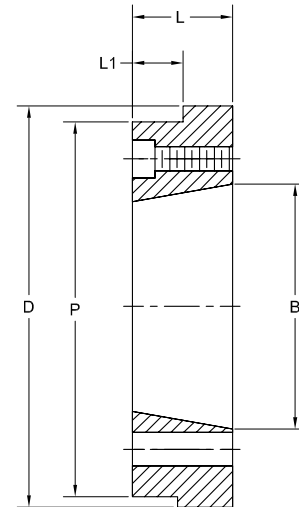
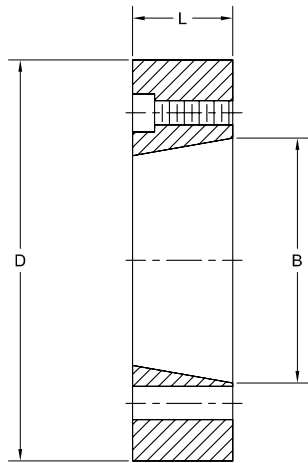
QD Weld-On Hubs JA to P-A

PART NUMBER	D	L	B	BC	L1	P	DRILLING TYPE	WEIGHT (LBS)
JA-A	2.25	9/16	1.375	1 21/32	----	----	1	.4
SH-A	3.0	13/16	1.871	2 1/4	----	----	1	1
SDS-A	3.5	3/4	2.188	2 11/16	----	----	1	1.25
SK-A	4.375	1 1/4	2.813	3 5/16	----	----	1	3
SF-A	5.0	1 1/4	3.125	3 7/8	----	----	1	4
E-A	6.25	1 5/8	3.832	5	----	----	1	9
F-A	7.0	2 1/2	4.437	5 5/8	----	----	1	16
J-A	7.75	3 3/16	5.14	6 1/4	----	----	1	22.5
M-A	9.5	5 5/16	6.494	7 7/8	3 9/16	9.250	2	50
N-A	10.5	6 1/4	6.99	8 1/2	4 1/2	10.250	2	75
P-A	15.5	7 1/4	8.24	10	----	----	2	155

QD Weld-On Hubs are all steel.

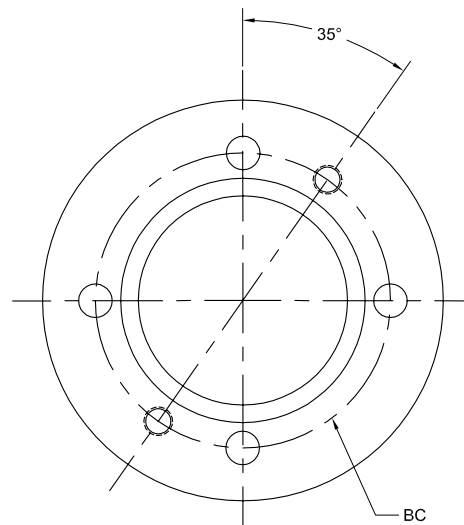
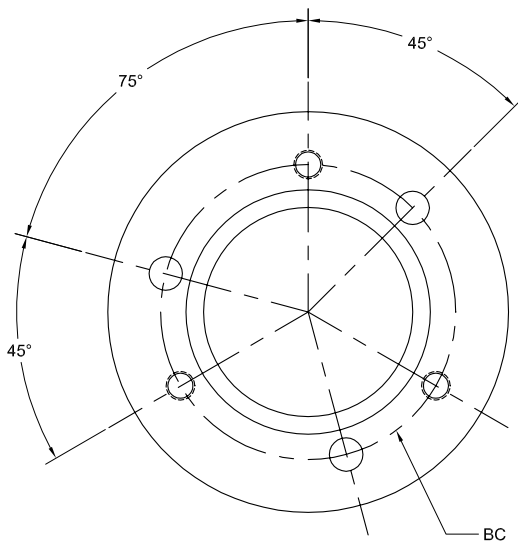


QD WELD-ON HUBS



TYPE 1 (standard or reverse mount)

TYPE 2 (standard mount only)



MOLINE BEARING CO.

Post Office Box 99, Batavia, Illinois 60510, USA
 630.584.4600, 800.242.4633, 630.584.1999 fax
www.molinebearing.com, sales@molinebearing.com

TEL # **800.242.4633**

187