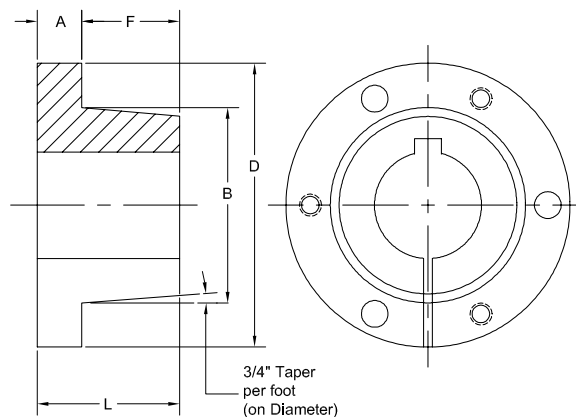


# QD BUSHING DIMENSIONS

| QD BUSHING | A     | B      | D      | F      | L       | BOLT CIRCLE DIA | NUMBER & SIZE OF CAP SCREWS REQUIRED | BUSHING BORE DIAMETER |                       |         |           | AVG WGT (APPROX) |
|------------|-------|--------|--------|--------|---------|-----------------|--------------------------------------|-----------------------|-----------------------|---------|-----------|------------------|
|            |       |        |        |        |         |                 |                                      | MINIMUM BORE          | KEYWAY - MAXIMUM BORE |         |           |                  |
|            |       |        |        |        |         |                 |                                      |                       | FULL                  | SHALLOW | NO KEYWAY |                  |
| JA         | 5/16  | 1 3/8  | 2      | 9/16   | 1       | 1.66            | 3 - (10-24x1)                        | 1/2                   | 1                     | 1 3/16  | 1 1/4     | 0.9              |
| SH         | 7/16  | 1 7/8  | 2 5/8  | 3/4    | 1 5/16  | 2 1/4           | 3 - (1/4-20x1 3/8)                   | 1/2                   | 1 3/8                 | 1-5/8   | 1 11/16   | 1.0              |
| SDS        | 7/16  | 2 3/16 | 3 1/8  | 3/4    | 1 5/16  | 2 11/16         | 3 - (1/4-20x1 3/8)                   | 1/2                   | 1 5/8                 | 1 15/16 | 2         | 1.0              |
| SD         | 7/16  | 2 3/16 | 3 1/8  | 1 1/4  | 1 13/16 | 2 11/16         | 3 - (1/4-20x1 7/8)                   | 1/2                   | 1 5/8                 | 1 15/16 | 2         | 1.5              |
| SK         | 9/16  | 2 3/16 | 3 7/8  | 1 1/4  | 1 15/16 | 3 5/16          | 3 - (5/16-18x2)                      | 1/2                   | 2 1/8                 | 2 1/2   | 2 5/8     | 2.0              |
| SF         | 5/8   | 3 1/8  | 4 5/8  | 1 1/4  | 2 1/16  | 3 7/8           | 3 - (3/8-16x2)                       | 1/2                   | 2 5/16                | 2 13/16 | 2 15/16   | 3.0              |
| E          | 7/8   | 3.834  | 6      | 1 5/8  | 2 3/4   | 5               | 3 - (1/2-13x2 3/4)                   | 7/8                   | 2 7/8                 | 3 1/2   | ----      | 10.0             |
| F          | 1     | 4 7/16 | 6 5/8  | 2 1/2  | 3 3/4   | 5 5/8           | 3 - (9/16-12x3 5/8)                  | 1                     | 3 15/16               | 3 15/16 | 4         | 11.5             |
| J          | 1 1/8 | 5 9/64 | 7 1/4  | 3 3/16 | 4 5/8   | 6 1/4           | 3 - (5/8x4 1/2)                      | 1 1/2                 | 3 3/4                 | 4 1/2   | ----      | 18.0             |
| M          | 1 1/4 | 6 1/2  | 9      | 5 3/16 | 6 3/4   | 7 7/8           | 4 - (3/4x6 3/4)                      | 2                     | 4 3/4                 | 5 1/2   | ----      | 46.0             |
| N          | 1 1/2 | 7      | 10     | 6 1/4  | 8 1/8   | 8 1/2           | 4 - (7/8x8)                          | 2 7/16                | 5                     | 5 7/8   | ----      | 70.0             |
| P          | 1 3/4 | 8 1/4  | 11 3/4 | 7 1/4  | 9 3/8   | 10              | 4 - (1x9 1/2)                        | 2 15/16               | 5 15/16               | 7       | ----      | 133.0            |



**MOLINE BEARING CO.**

Post Office Box 99, Batavia, Illinois 60510, USA  
 630.584.4600, 800.242.4633, 630.584.1999 fax  
 www.molinebearing.com, sales@molinebearing.com

TEL # **800.242.4633**

169

# QD BUSHINGS STOCK BORES AND KEYWAYS

| BORE    | BUSHING KEYWAY | SHAFT KEYSEAT | QD BUSHINGS STOCKED    |
|---------|----------------|---------------|------------------------|
| 1/2     | 1/8 x 1/16     | 1/8 x 1/16    | JA SH SDS SD SK SF     |
| 9/16    | 1/8 x 1/16     | 1/8 x 1/16    | JA SH SDS SD SK SF     |
| 5/8     | 3/16 x 3/32    | 3/16 x 3/16   | JA SH SDS SD SK SF     |
| 11/16   | 3/16 x 3/32    | 3/16 x 3/16   | JA SH SDS SD SK SF     |
| 3/4     | 3/16 x 3/32    | 3/16 x 3/16   | JA SH SDS SD SK SF     |
| 13/16   | 3/16 x 3/32    | 3/16 x 3/16   | JA SH SDS SD SK SF     |
| 7/8     | 3/16 x 3/32    | 3/16 x 3/16   | JA SH SDS SD SK SF E   |
| 15/16   | 1/4 x 1/8      | 1/4 x 1/8     | JA SH SDS SD SK SF E   |
| 1       | 1/4 x 1/8      | 1/4 x 1/8     | JA SH SDS SD SK SF E F |
| 1 1/16  | 1/4 x 1/16*    | 1/4 x 1/8     | JA                     |
| 1 1/4   | 1/4 x 1/8      | 1/4 x 1/8     | SH SDS SD SK SF        |
| 1 1/8   | 1/4 x 1/16*    | 1/4 x 1/8     | JA                     |
| 1 1/8   | 1/4 x 1/8      | 1/4 x 1/8     | SH SDS SD SK SF E F    |
| 1 3/16  | 1/4 x 1/16*    | 1/4 x 1/8     | JA                     |
| 1 3/16  | 1/4 x 1/8      | 1/4 x 1/8     | SH SDS SD SK SF E F    |
| 1 1/4   | NONE           | NONE          | JA                     |
| 1 1/4   | 1/4 x 1/8      | 1/4 x 1/8     | SH SDS SD SK SF E F    |
| 1 5/16  | 5/16 x 5/32    | 5/16 x 5/32   | SH SDS SD SK SF E F    |
| 1 3/8   | 5/16 x 5/32    | 5/16 x 5/32   | SH SDS SD SK SF E F    |
| 1 3/8   | 3/8 x 3/16     | 5/16 x 5/32   | SH SF E                |
| 1 3/8   | 5/16 x 3/16    | 5/16 x 3/16   | SF                     |
| 1 7/16  | 3/8 x 1/16*    | 3/8 x 3/16    | SH                     |
| 1 7/16  | 3/8 x 3/16     | 3/8 x 3/16    | SDS SD SK SF E F       |
| 1 1/2   | 3/8 x 1/16     | 3/8 x 3/16    | SH                     |
| 1 1/2   | 3/8 x 3/16     | 3/8 x 3/16    | SDS SD SK SF E F       |
| 1 9/16  | 3/8 x 1/16     | 3/8 x 3/16    | SH                     |
| 1 9/16  | 3/8 x 3/16     | 3/8 x 3/16    | SDS SD SK SF E F       |
| 1 5/8   | 3/8 x 1/16*    | 3/8 x 3/16    | SH                     |
| 1 5/8   | 3/8 x 3/16     | 3/8 x 3/16    | SDS SD SK SF E F       |
| 1 11/16 | NONE           | NONE          | SH                     |
| 1 11/16 | 3/8 x 1/8*     | 3/8 x 3/16    | SDS SD                 |
| 1 11/16 | 3/8 x 3/16     | 3/8 x 3/16    | SK SF E F              |

| BORE    | BUSHING KEYWAY | SHAFT KEYSEAT | QD BUSHINGS STOCKED |
|---------|----------------|---------------|---------------------|
| 1 3/4   | 3/8 x 1/8*     | 3/8 x 3/16    | SDS SD              |
| 1 3/4   | 3/8 x 3/16     | 3/8 x 3/16    | SD SK SF E F        |
| 1 3/4   | NONE           | NONE          | SH                  |
| 1 13/16 | 1/2 x 1/16*    | 1/2 x 1/4     | SDS SD              |
| 1 13/16 | 1/2 x 1/4      | 1/2 x 1/4     | SK SF E F           |
| 1 7/8   | 1/2 x 1/16*    | 1/2 x 1/4     | SDS SD              |
| 1 7/8   | 1/2 x 1/4      | 1/2 x 1/4     | SK SF E F           |
| 1 15/16 | 1/2 x 1/16*    | 1/2 x 1/4     | SDS SD              |
| 1 15/16 | 1/2 x 1/4      | 1/2 x 1/4     | SK SF E F           |
| 2       | NONE           | NONE          | SDS SD              |
| 2       | 1/2 x 1/4      | 1/2 x 1/4     | SK SF E F           |
| 2 1/16  | 1/2 x 1/4      | 1/2 x 1/4     | SK SF E F           |
| 2 1/8   | 1/2 x 1/4      | 1/2 x 1/4     | SK SF E F           |
| 2 3/16  | 1/2 x 1/4      | 1/2 x 1/4     | SF E F              |
| 2 3/16  | 1/2 x 3/16*    | 1/2 x 1/4     | SK                  |
| 2 1/4   | 1/2 x 3/16*    | 1/2 x 1/4     | SK                  |
| 2 1/4   | 1/2 x 1/4      | 1/2 x 1/4     | SF E F              |
| 2 15/16 | 5/8 x 1/16*    | 5/8 x 5/16    | SK                  |
| 2 15/16 | 5/8 x 5/16     | 5/8 x 5/16    | SF E F              |
| 2 3/8   | 5/8 x 1/16*    | 5/8 x 5/16    | SK SF               |
| 2 3/8   | 5/8 x 5/16     | 5/8 x 5/16    | E F                 |
| 2 7/16  | 5/8 x 1/16*    | 5/8 x 5/16    | SK SF               |
| 2 7/16  | 5/8 x 5/16     | 5/8 x 5/16    | E F                 |
| 2 1/2   | 5/8 x 1/16*    | 5/8 x 5/16    | SK SF               |
| 2 1/2   | 5/8 x 5/16     | 5/8 x 5/16    | E F                 |
| 2 9/16  | NONE           | NONE          | SK                  |
| 2 9/16  | 5/8 x 1/16     | 5/8 x 5/16    | SF                  |
| 2 9/16  | 5/8 x 5/16     | 5/8 x 5/16    | E F                 |

Bushings are supplied with cap screws only.

\* Denotes shallow key.



## QD BUSHINGS STOCK BORES AND KEYWAYS

| BORE                            | BUSHING KEYWAY | SHAFT KEYSEAT | QD BUSHINGS STOCKED |
|---------------------------------|----------------|---------------|---------------------|
| 2 <sup>5</sup> / <sub>8</sub>   | NONE           | NONE          | SK                  |
| 2 <sup>5</sup> / <sub>8</sub>   | 5/8 x 1/16*    | 5/8 x 5/16    | SF                  |
| 2 <sup>5</sup> / <sub>8</sub>   | 5/8 x 5/16     | 5/8 x 5/16    | E F                 |
| 2 <sup>11</sup> / <sub>16</sub> | 5/8 x 1/16*    | 5/8 x 5/16    | SF                  |
| 2 <sup>11</sup> / <sub>16</sub> | 5/8 x 5/16     | 5/8 x 5/16    | E F                 |
| 2 <sup>3</sup> / <sub>4</sub>   | 5/8 x 1/16*    | 5/8 x 5/16    | SF                  |
| 2 <sup>3</sup> / <sub>4</sub>   | 5/8 x 5/16     | 5/8 x 5/16    | E F                 |
| 2 <sup>13</sup> / <sub>16</sub> | 3/4 x 1/16*    | 3/4 x 3/8     | SF                  |
| 2 <sup>13</sup> / <sub>16</sub> | 3/4 x 3/8      | 3/4 x 3/8     | E F                 |
| 2 <sup>7</sup> / <sub>8</sub>   | NONE           | NONE          | SF                  |
| 2 <sup>7</sup> / <sub>8</sub>   | 3/4 x 3/8      | 3/4 x 3/8     | E F                 |
| 2 <sup>15</sup> / <sub>16</sub> | NONE           | NONE          | SF                  |
| 2 <sup>15</sup> / <sub>16</sub> | 3/4 x 1/8*     | 3/4 x 3/8     | E                   |
| 2 <sup>15</sup> / <sub>16</sub> | 3/4 x 3/8      | 3/4 x 3/8     | F                   |
| 3                               | 3/4 x 1/8*     | 3/4 x 3/8     | E                   |
| 3                               | 3/4 x 3/8      | 3/4 x 3/8     | F                   |
| 3 <sup>1</sup> / <sub>16</sub>  | 3/4 x 1/8*     | 3/4 x 3/8     | E                   |
| 3 <sup>1</sup> / <sub>8</sub>   | 3/4 x 1/8*     | 3/4 x 3/8     | E                   |
| 3 <sup>1</sup> / <sub>8</sub>   | 3/4 x 3/8      | 3/4 x 3/8     | F                   |
| 3 <sup>3</sup> / <sub>16</sub>  | 3/4 x 1/8*     | 3/4 x 3/8     | E                   |
| 3 <sup>3</sup> / <sub>16</sub>  | 3/4 x 3/8      | 3/4 x 3/8     | F                   |
| 3 <sup>1</sup> / <sub>4</sub>   | 3/4 x 1/8*     | 3/4 x 3/8     | E                   |
| 3 <sup>1</sup> / <sub>4</sub>   | 3/4 x 3/8      | 3/4 x 3/8     | F                   |
| 3 <sup>5</sup> / <sub>16</sub>  | 7/8 x 1/8*     | 7/8 x 7/16    | E F                 |
| 3 <sup>3</sup> / <sub>8</sub>   | 7/8 x 3/16*    | 7/8 x 7/16    | F                   |
| 3 <sup>3</sup> / <sub>8</sub>   | 7/8 x 1/16     | 7/8 x 7/16    | E                   |
| 3 <sup>7</sup> / <sub>16</sub>  | 7/8 x 1/16     | 7/8 x 7/16    | E                   |
| 3 <sup>7</sup> / <sub>16</sub>  | 7/8 x 3/16*    | 7/8 x 7/16    | F                   |
| 3 <sup>7</sup> / <sub>16</sub>  | 7/8 x 1/16     | 7/8 x 7/16    | M                   |

| BORE                            | BUSHING KEYWAY | SHAFT KEYSEAT | QD BUSHINGS STOCKED |
|---------------------------------|----------------|---------------|---------------------|
| 3 <sup>1</sup> / <sub>2</sub>   | 7/8 x 1/16*    | 7/8 x 7/16    | E                   |
| 3 <sup>1</sup> / <sub>2</sub>   | 7/8 x 3/16*    | 7/8 x 7/16    | F                   |
| 3 <sup>9</sup> / <sub>16</sub>  | 7/8 x 3/16*    | 7/8 x 7/16    | F                   |
| 3 <sup>5</sup> / <sub>8</sub>   | 7/8 x 3/16*    | 7/8 x 7/16    | F                   |
| 3 <sup>11</sup> / <sub>16</sub> | 7/8 x 3/16*    | 7/8 x 7/16    | F                   |
| 3 <sup>3</sup> / <sub>4</sub>   | 7/8 x 3/16*    | 7/8 x 7/16    | F                   |
| 3 <sup>7</sup> / <sub>8</sub>   | 1 x 1/8*       | 1 x 1/2       | F J                 |
| 3 <sup>15</sup> / <sub>16</sub> | 1 x 1/8*       | 1 x 1/2       | F J M               |
| 4                               | 1 x 1/8*       | 1 x 1/2       | J                   |
| 4                               | NONE           | NONE          | F                   |
| 4 <sup>1</sup> / <sub>4</sub>   | 1 x 1/8*       | 1 x 1/2       | J                   |
| 4 <sup>7</sup> / <sub>16</sub>  | 1 x 1/8*       | 1 x 1/2       | J                   |
| 4 <sup>7</sup> / <sub>16</sub>  | 1 x 1/2*       | 1 x 1/2       | M N                 |
| 4 <sup>15</sup> / <sub>16</sub> | 1 1/4 x 1/4    | 1 1/4 x 5/8   | M                   |
| 4 <sup>15</sup> / <sub>16</sub> | 1 1/4 x 5/8    | 1 1/4 x 5/8   | N                   |
| 5 <sup>1</sup> / <sub>4</sub>   | 1 1/4 x 1/4*   | 1 1/4 x 5/8   | N                   |
| 5 <sup>7</sup> / <sub>16</sub>  | 1 1/4 x 1/4*   | 1 1/4 x 5/8   | M                   |
| 5 <sup>7</sup> / <sub>16</sub>  | 1 1/4 x 5/8    | 1 1/4 x 5/8   | P                   |
| 5 <sup>3</sup> / <sub>4</sub>   | 1 1/2 x 1/8*   | 1 1/2 x 3/4   | N                   |
| 5 <sup>7</sup> / <sub>8</sub>   | 1 1/2 x 1/8*   | 1 1/2 x 3/4   | N                   |
| 5 <sup>15</sup> / <sub>16</sub> | 1 1/2 x 3/4    | 1 1/2 x 3/4   | N                   |
| 5 <sup>15</sup> / <sub>16</sub> | 1 1/2 x 3/4    | 1 1/2 x 3/4   | P                   |
| 6 <sup>7</sup> / <sub>16</sub>  | 1 1/2 x 1/4    | 1 1/2 x 3/4   | P                   |
| 6 <sup>15</sup> / <sub>16</sub> | 1 3/4 x 1/8    | 1 3/4 x 3/4   | P                   |

Bushings are supplied with cap screws only.

\* Denotes shallow key.



**MOLINE BEARING CO.**

Post Office Box 99, Batavia, Illinois 60510, USA  
630.584.4600, 800.242.4633, 630.584.1999 fax  
www.molinebearing.com, sales@molinebearing.com

TEL # **800.242.4633**

171