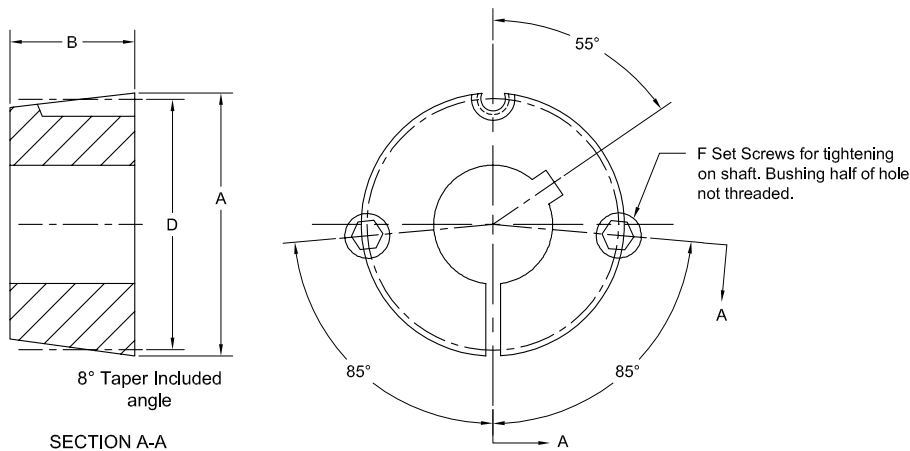


# TAPERED BUSHINGS #1008 TO 3030

BUSHING #	BORE	BUSHING KEYWAY	SHAFT KEYSEAT	A	B	D	F	WRENCH TORQUE LBS. -IN.	TORQUE CAP. LBS. -IN.	WEIGHT
1008	$\frac{1}{2}, \frac{9}{16}$	$\frac{1}{8} \times \frac{1}{16}$	$\frac{1}{8} \times \frac{1}{16}$	1.386	$\frac{7}{8}$	$1 \frac{21}{64}$	$\frac{1}{4} \times \frac{1}{2}$	55	1,200	.27
	$\frac{5}{8}, \frac{11}{16}, \frac{3}{4}, \frac{13}{16}, \frac{7}{8}$	$\frac{3}{16} \times \frac{3}{32}$	$\frac{3}{16} \times \frac{3}{32}$							.21
	$1 \frac{15}{16}^*, 1^*$	$\frac{1}{4} \times \frac{1}{16}$	$\frac{1}{4} \times \frac{1}{8}$							.16
1108	$\frac{1}{2}, \frac{9}{16}$	$\frac{1}{8} \times \frac{1}{16}$	$\frac{1}{8} \times \frac{1}{16}$	1.511	$\frac{7}{8}$	$1 \frac{29}{64}$	$\frac{1}{4} \times \frac{1}{2}$	11	1,300	.33
	$\frac{5}{8}, \frac{11}{16}, \frac{3}{4}, \frac{13}{16}, \frac{7}{8}$	$\frac{3}{16} \times \frac{3}{32}$	$\frac{3}{16} \times \frac{3}{32}$							.27
	$1 \frac{15}{16}^*, 1^*$	$\frac{1}{4} \times \frac{1}{8}$	$\frac{1}{4} \times \frac{1}{8}$							.22
	$1 \frac{1}{16}^*, 1 \frac{1}{8}^*$	$\frac{1}{4} \times \frac{1}{16}$	$\frac{1}{4} \times \frac{1}{8}$							.17
1210	$\frac{1}{2}, \frac{9}{16}$	$\frac{1}{8} \times \frac{1}{16}$	$\frac{1}{8} \times \frac{1}{16}$	$1 \frac{7}{8}$	1	$1 \frac{3}{4}$	$\frac{3}{8} \times \frac{5}{8}$	175	3,600	.61
	$\frac{5}{8}, \frac{11}{16}, \frac{3}{4}, \frac{13}{16}, \frac{7}{8}$	$\frac{3}{16} \times \frac{3}{32}$	$\frac{3}{16} \times \frac{3}{32}$							.55
	$\frac{15}{16}, 1, 1 \frac{1}{16}, 1 \frac{1}{8}, 1 \frac{3}{16}, 1 \frac{1}{4}$	$\frac{1}{4} \times \frac{1}{8}$	$\frac{1}{4} \times \frac{1}{8}$							.49

\*Denotes shallow key, keystock included. Bushings supplied with set screws.



**TAPERED BUSHINGS #1008 TO 3030**

BUSHING #	BORE	BUSHING KEYWAY	SHAFT KEYSEAT	A	B	D	F	WRENCH TORQUE LBS. -IN.	TORQUE CAP. LBS. -IN.	WEIGHT
1215	1/2, 9/16	1/8 x 1/16	1/8 x 1/16	1 7/8	1 1/2	1 3/4	3/8 x 5/8	175	3.550	.8
	5/8, 11/16, 3/4, 13/16, 7/8	3/16 x 3/32	3/16 x 3/32							.7
	15/16, 1, 1 1/16, 1 1/8, 1 3/16, 1 1/4	1/4 x 1/8	1/4 x 1/8							.6
1310	1/2, 9/16	1/8 x 1/16	1/8 x 1/16	2	1	1 7/8	3/8 x 5/8	175	3.850	.7
	5/8, 11/16, 3/4, 13/16, 7/8	3/16 x 3/32	3/16 x 3/32							.7
	15/16, 1, 1 1/16, 1 1/8, 1 3/16, 1 1/4	1/4 x 1/8	1/4 x 1/8							.6
	1 5/16, 1 3/8	5/16 x 5/32	5/16 x 5/32							.6
1610	1/2, 9/16	1/8 x 1/16	1/8 x 1/16	2 1/4	1	2 1/8	3/8 x 5/8	175	4.300	.9
	5/8, 11/16, 3/4, 13/16, 7/8	3/16 x 3/32	3/16 x 3/32							.8
	15/16, 1, 1 1/16, 1 1/8, 1 3/16, 1 1/4	1/4 x 1/8	1/4 x 1/8							.7
	1 5/16, 1 3/8	5/16 x 5/32	5/16 x 5/32							.7
	1 7/16, 1 1/2	3/8 x 3/16	3/8 x 3/16							.6
	1 9/16*, 1 5/8*	3/8 x 1/8	3/8 x 3/16							.5

\*Denotes shallow key, keystock included. Bushings supplied with set screws.



**MOLINE BEARING CO.**

Post Office Box 99, Batavia, Illinois 60510, USA  
 630.584.4600, 800.242.4633, 630.584.1999 fax  
 www.molinebearing.com, sales@molinebearing.com

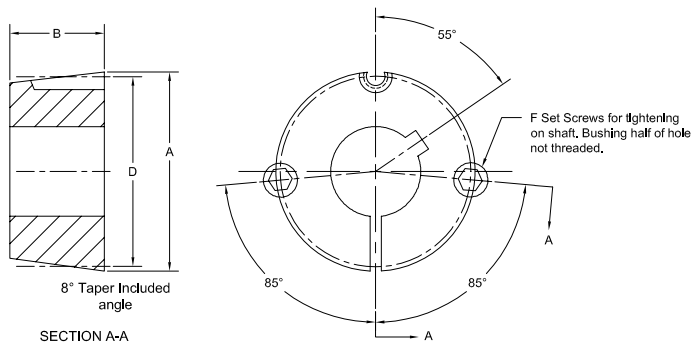
TEL # **800.242.4633**

**173**

**TAPERED BUSHINGS #1008 TO 3030 CONTINUED**

BUSHING #	BORE	BUSHING KEYWAY	SHAFT KEYSEAT	A	B	D	F	WRENCH TORQUE LBS. -IN.	TORQUE CAP. LBS. -IN.	WEIGHT
1615	1/2, 9/16	1/8 x 1/16	1/8 x 1/16	2 1/4	1 1/2	2 1/8	3/8 x 5/8	175	4,300	1.2
	5/8, 11/16, 3/4, 13/16, 7/8	3/16 x 3/32	3/16 x 3/32							1.1
	15/16, 1, 1 1/16, 1 1/8, 1 3/16, 1 1/4	1/4 x 1/8	1/4 x 1/8							1.0
	1 5/16, 1 3/8	5/16 x 5/32	5/16 x 5/32							.8
	1 7/16, 1 1/2	3/8 x 3/16	3/8 x 3/16							.7
	1 9/16*, 1 5/8*, 1 11/16	3/8 x 3/16	3/8 x 3/16							.6
2012	1/2, 9/16	1/8 x 1/16	1/8 x 1/16	2 3/4	1 1/4	2 5/8	7/16 x 7/8	280	7,150	1.7
	5/8, 11/16, 3/4, 13/16, 7/8	3/16 x 3/32	3/16 x 3/32							1.6
	15/16, 1, 1 1/16, 1 1/8, 1 3/16, 1 1/4	1/4 x 1/8	1/4 x 1/8							1.5
	1 5/16, 1 3/8	5/16 x 5/32	5/16 x 5/32							1.4
	1 7/16, 1 1/2, 1 9/16, 1 5/8, 1 11/16, 1 3/4	3/8 x 3/16	3/8 x 3/16							1.2
	1 13/16, 1 7/8	1/2 x 1/4	1/2 x 1/4							1.0
	1 15/16*, 2*	1/2 x 3/16	1/2 x 1/4							1.0

\*Denotes shallow key, keystone included. Bushings supplied with set screws.



**TAPERED BUSHINGS #1008 TO 3030 CONTINUED**

BUSHING #	BORE	BUSHING KEYWAY	SHAFT KEYSEAT	A	B	D	F	WRENCH TORQUE LBS. -IN.	TORQUE CAP. LBS. -IN.	WEIGHT
2517	1/2, 9/16	1/8 x 1/16	1/8 x 1/16	3 3/8	1 3/4	3 1/4	1/2 x 1	430	11,600	3.5
	5/8, 11/16, 3/4, 13/16, 7/8	3/16 x 3/32	3/16 x 3/32							3.4
	15/16, 1, 1 1/16, 1 1/8, 1 3/16, 1 1/4	1/4 x 1/8	1/4 x 1/8							3.3
	1 5/16, 1 3/8	5/16 x 5/32	5/16 x 5/32							3.2
	1 7/16, 1 1/2, 1 9/16, 1 5/8, 1 11/16, 1 3/4	3/8 x 3/16	3/8 x 3/16							3.0
	1 13/16, 1 7/8, 1 15/16, 2, 2 1/16, 2 1/8, 2 3/16, 2 1/4	1/2 x 1/4	1/2 x 1/4							2.4
	2 5/16*, 2 3/8*, 2 7/16*, 2 1/2*	5/8 x 3/16	5/8 x 3/16							1.9
2525	3/4, 13/16, 7/8	3/16 x 3/32	3/16 x 3/32	3 3/8	2 1/2	3 1/4	1/2 x 1	430	11,300	4.9
	15/16, 1, 1 1/16, 1 1/8, 1 3/16, 1 1/4	1/4 x 1/8	1/4 x 1/8							4.7
	1 5/16, 1 3/8	5/16 x 5/32	5/16 x 5/32							4.5
	1 7/16, 1 1/2, 1 9/16, 1 5/8, 1 11/16, 1 3/4	3/8 x 3/16	3/8 x 3/16							4.2
	1 13/16, 1 7/8, 1 15/16, 2, 2 1/16, 2 1/8, 2 3/16, 2 1/4	1/2 x 1/4	1/2 x 1/4							3.3
	2 5/16, 2 3/8, 2 7/16, 2 1/2*	5/8 x 3/16	5/8 x 5/16							2.5

\*Denotes shallow key, keystock included. Bushings supplied with set screws.



Post Office Box 99, Batavia, Illinois 60510, USA  
 630.584.4600, 800.242.4633, 630.584.1999 fax  
 www.molinebearing.com, sales@molinebearing.com

**MOLINE BEARING CO.**

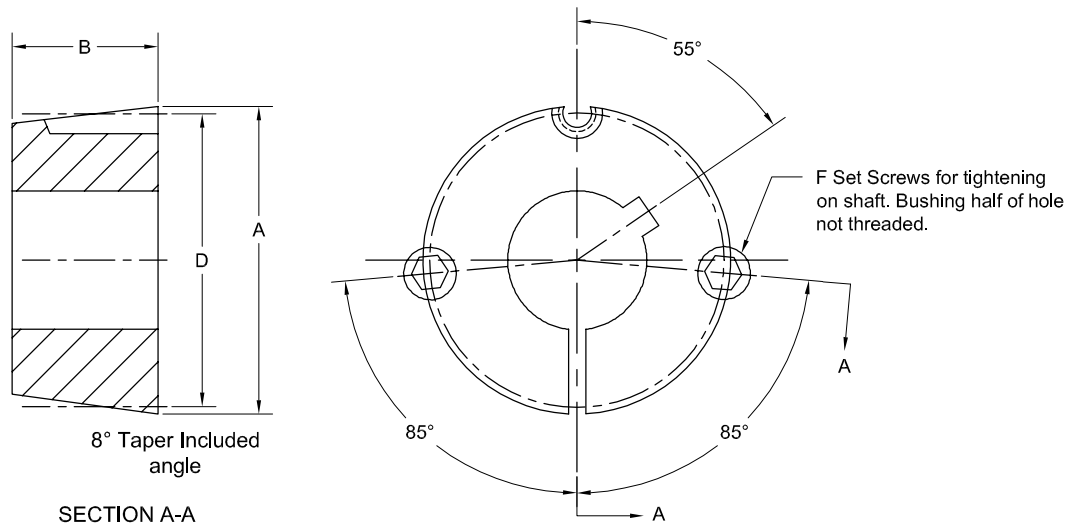
TEL # **800.242.4633**

175

**TAPERED BUSHINGS #1008 TO 3030 CONTINUED**

BUSHING #	BORE	BUSHING KEYWAY	SHAFT KEYSEAT	A	B	D	F	WRENCH TORQUE LBS. -IN.	TORQUE CAP. LBS. -IN.	WEIGHT
3020	7/8	3/16 x 3/32	3/16 x 3/32	4 1/4	2	4	5/8 x 1 1/4	800	24,000	6.5
	1 1/16, 1, 1 1/8, 1 1/4	1/4 x 1/8	1/4 x 1/8							6.0
	1 5/16, 1 3/8	5/16 x 5/32	5/16 x 5/32							6.0
	1 7/16, 1 1/2, 1 9/16, 1 5/8, 1 11/16, 1 3/4	3/8 x 3/16	3/8 x 3/16							5.3
	1 13/16, 1 7/8, 1 15/16, 2, 2 1/8, 2 3/16, 2 1/4	1/2 x 1/4	1/2 x 1/4							4.5
	2 5/16, 2 3/8, 2 7/16, 2 1/2, 2 9/16, 2 5/8, 2 11/16, 2 3/4	5/8 x 5/16	5/8 x 5/16							3.9
	2 7/8, 2 15/16, 3*	3/4 x 1/4	3/4 x 1/4							

\*Denotes shallow key, keystock included. Bushings supplied with set screws.



**TAPERED BUSHINGS #1008 TO 3030 CONTINUED**

BUSHING #	BORE	BUSHING KEYWAY	SHAFT KEYSEAT	A	B	D	F	WRENCH TORQUE LBS. -IN.	TORQUE CAP. LBS. -IN.	WEIGHT
3030	1 <sup>5</sup> / <sub>16</sub> , 1, 1 <sup>1</sup> / <sub>16</sub> , 1 <sup>1</sup> / <sub>8</sub> , 1 <sup>3</sup> / <sub>16</sub> , 1 <sup>1</sup> / <sub>4</sub>	1/4 x 1/8	1/4 x 1/8	4 1/4	3	4	5/8 x 1 1/4	800	24,000	9.2
	1 5/16, 1 3/8	5/16 x 5/32	5/16 x 5/32							8.9
	1 7/16, 1 1/2, 1 9/16, 1 5/8, 1 11/16, 1 3/4	3/8 x 3/16	3/8 x 3/16							8.6
	1 13/16, 1 7/8, 1 15/16, 2, 2 1/8, 2 1/16, 2 3/16, 2 1/4	1/2 x 1/4	1/2 x 1/4							7.6
	2 5/16, 2 3/8, 2 7/16, 2 1/2, 2 9/16, 2 5/8, 2 11/16, 2 3/4, 2 13/16	5/8 x 5/16	5/8 x 5/16							6.2
	2 7/8, 2 15/16, 3	3/4 x 1/4	3/4 x 3/8							5.0

\*Denotes shallow key, keystock included. Bushings supplied with set screws.



**MOLINE BEARING CO.**

Post Office Box 99, Batavia, Illinois 60510, USA  
 630.584.4600, 800.242.4633, 630.584.1999 fax  
 www.molinebearing.com, sales@molinebearing.com

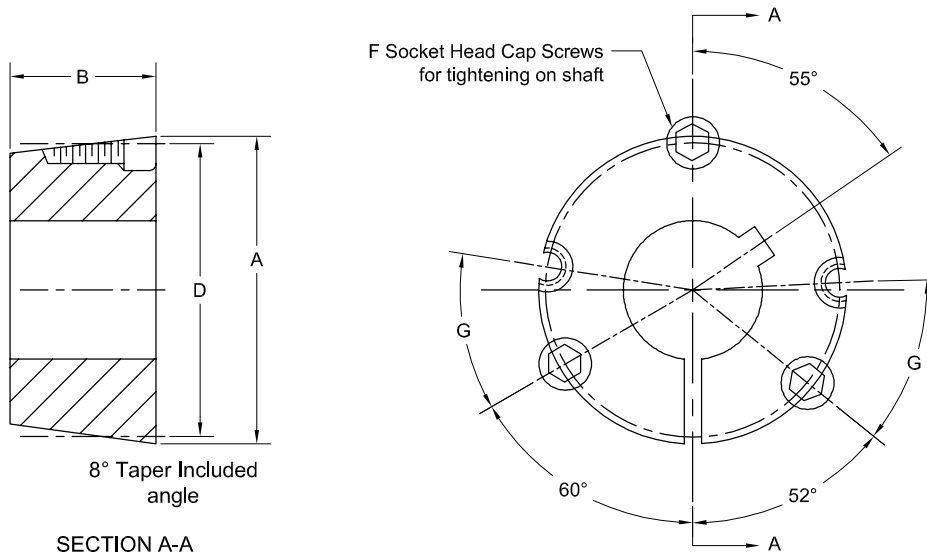
TEL # **800.242.4633**

**177**

# TAPERED BUSHINGS #3535 TO 5050

BUSHING #	BORE	BUSHING KEYWAY	SHAFT KEYSEAT	A	B	D	F	G	WRENCH TORQUE LBS. -IN.	TORQUE CAP. LBS. -IN.	WEIGHT
3535	1 3/16, 1 1/4	1/4 x 1/8	1/4 x 1/8	5	3 1/2	4.83	1/2 x 1 1/2	39°	1,000	44,800	14
	1 5/16, 1 3/8	5/16 x 5/32	5/16 x 5/32								14
	1 7/16, 1 1/2, 1 9/16, 1 5/8, 1 11/16, 1 3/4	3/8 x 3/16	3/8 x 3/16								13
	1 3/16, 1 7/8, 1 15/16, 2, 2 1/8, 2 3/16, 2 1/4	1/2 x 1/4	1/2 x 1/4								12
	2 5/16, 2 3/8, 2 7/16, 2-1/2, 2 9/16, 2 5/8, 2 11/16, 2 3/4	5/8 x 5/16	5/8 x 5/16								11
	2 3/16, 2 7/8, 2 15/16, 3, 3 1/8, 3 3/16, 3 1/4	3/4 x 3/8	3/4 x 3/8								9
	3 5/16*, 3 3/8*, 3 7/16*, 3 1/2*	7/8 x 1/4	7/8 x 7/16								8

\*Denotes shallow key, keystock included. Bushings supplied with set screws.



## TAPERED BUSHINGS #3535 TO 5050

BUSHING #	BORE	BUSHING KEYWAY	SHAFT KEYSEAT	A	B	D	F	G	WRENCH TORQUE LBS. -IN.	TORQUE CAP. LBS. -IN.	WEIGHT
4040	1 7/16, 1 1/2, 1 5/8, 1 11/16, 1 3/4	3/8 x 3/16	3/8 x 3/16	5 3/4	4	5.54	5/8 x 1 3/4	40°	2,450	110,000	22
	1 7/8, 1 15/16, 2, 2 1/8, 2 3/16, 2 1/4	1/2 x 1/4	1/2 x 1/4								21
	2 3/8, 2 7/16, 2 1/2, 2 5/8, 2 11/16, 2 3/4	5/8 x 5/16	5/8 x 5/16								19
	2 7/8, 2 15/16, 3, 3 1/8, 3 3/16, 3 1/4	3/4 x 3/8	3/4 x 3/8								17
	3 3/8, 3 7/16, 3 1/2, 3 5/8	7/8 x 7/16	7/8 x 7/16								15
	3 11/16, 3 3/4	7/8 x 1/4	7/8 x 7/16								14
	3 7/8*, 3 15/16*, 4, 4 1/8*, 4 3/16*, 4 1/4*, 4 3/8*, 4 7/16*	1 x 1/4	1 x 1/2								13

\*Denotes shallow key, keystock included. Bushings supplied with set screws.



**MOLINE BEARING CO.**

Post Office Box 99, Batavia, Illinois 60510, USA  
630.584.4600, 800.242.4633, 630.584.1999 fax  
www.molinebearing.com, sales@molinebearing.com

TEL # **800.242.4633**

179



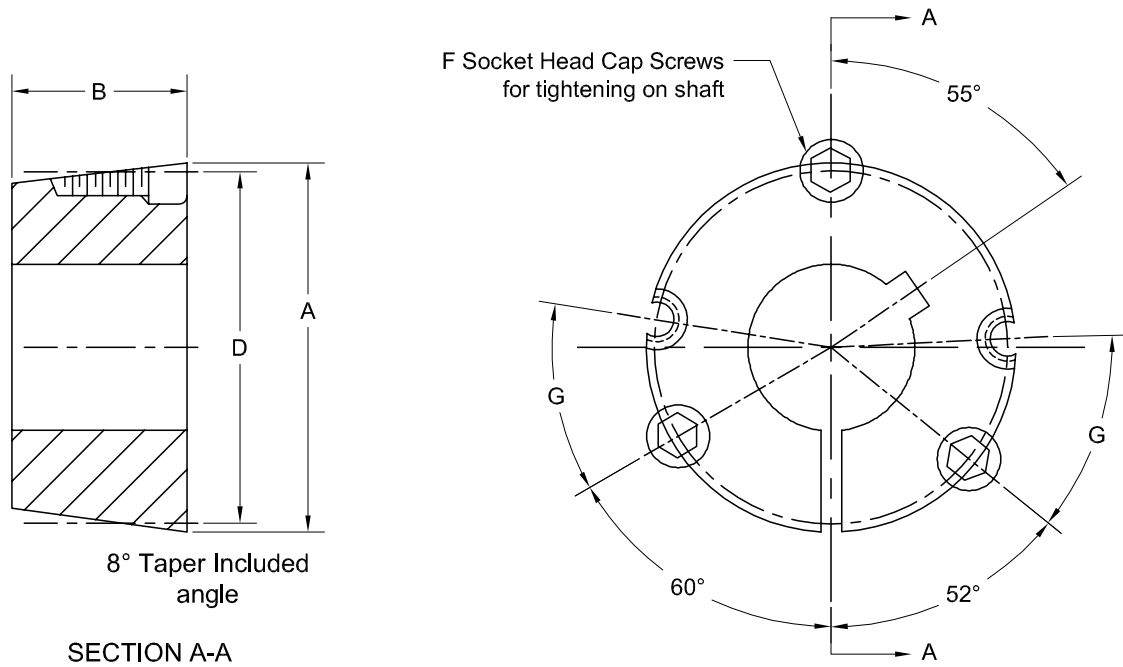
**TAPERED BUSHINGS #3535 TO 5050 CONTINUED**

BUSHING #	BORE	BUSHING KEYWAY	SHAFT KEYSEAT	A	B	D	F	G	WRENCH TORQUE LBS. -IN	TORQUE CAP. LBS. -IN.	WEIGHT
4545	1 <sup>15</sup> / <sub>16</sub> , 2, 2 <sup>1</sup> / <sub>8</sub> , 2 <sup>3</sup> / <sub>16</sub> , 2 <sup>1</sup> / <sub>4</sub>	1/2 x 1/4	1/2 x 1/4	6 <sup>3</sup> / <sub>8</sub>	4 1/2	6.13	3/4 x 2	40°	2,450	126,000	30
	2 <sup>5</sup> / <sub>16</sub> , 2 <sup>3</sup> / <sub>8</sub> , 2 <sup>7</sup> / <sub>16</sub> , 2 <sup>1</sup> / <sub>2</sub> , 2 <sup>9</sup> / <sub>16</sub> , 2 <sup>5</sup> / <sub>8</sub> , 2 <sup>11</sup> / <sub>16</sub> , 2 <sup>3</sup> / <sub>4</sub>	5/8 x 5/16	5/8 x 5/16								28
	2 <sup>13</sup> / <sub>16</sub> , 2 <sup>7</sup> / <sub>8</sub> , 2 <sup>15</sup> / <sub>16</sub> , 3, 3 <sup>3</sup> / <sub>16</sub> , 3 <sup>1</sup> / <sub>4</sub>	3/4 x 3/8	3/4 x 3/8								26
	3 <sup>5</sup> / <sub>16</sub> , 3 <sup>3</sup> / <sub>8</sub> , 3 <sup>7</sup> / <sub>16</sub> , 3 <sup>1</sup> / <sub>2</sub> , 3 <sup>9</sup> / <sub>16</sub> , 3 <sup>5</sup> / <sub>8</sub> , 3 <sup>11</sup> / <sub>16</sub> , 3 <sup>3</sup> / <sub>4</sub>	7/8 x 7/16	7/8 x 7/16								23
	3 <sup>13</sup> / <sub>16</sub> , 3 <sup>7</sup> / <sub>8</sub> , 3 <sup>15</sup> / <sub>16</sub> , 4, 4 <sup>1</sup> / <sub>8</sub> , 4 <sup>3</sup> / <sub>16</sub> , 4 <sup>1</sup> / <sub>4</sub>	1 x 1/2	1 x 1/2								20
	4 <sup>5</sup> / <sub>16</sub> , 4 <sup>3</sup> / <sub>8</sub> *, 4 <sup>7</sup> / <sub>16</sub> *, 4 <sup>1</sup> / <sub>2</sub> *	1 x 1/4	1 x 1/2								16
	4 <sup>15</sup> / <sub>16</sub> *	1 1/4 x 1/4	1 1/4 x 5/8								13
5050	2 <sup>7</sup> / <sub>16</sub>	5/8 x 5/16	5/8 x 5/16	7	5	6.72	7/8 x 2 1/4	40°	3,100	126,000	38.7
	2 <sup>15</sup> / <sub>16</sub>	3/4 x 3/8	3/4 x 3/8								36.2
	3 <sup>3</sup> / <sub>8</sub> , 3 <sup>7</sup> / <sub>16</sub> , 3 <sup>5</sup> / <sub>8</sub>	7/8 x 7/16	7/8 x 7/16								32
	3 <sup>7</sup> / <sub>8</sub> , 3 <sup>15</sup> / <sub>16</sub> , 4, 4 <sup>1</sup> / <sub>4</sub> , 4 <sup>3</sup> / <sub>8</sub> , 4 <sup>7</sup> / <sub>16</sub> , 4 <sup>1</sup> / <sub>2</sub>	1 x 1/2	1 x 1/2								26
	4 <sup>7</sup> / <sub>8</sub> *, 4 <sup>15</sup> / <sub>16</sub> *, 5*	1 1/4 x 7/16*	1 1/4 x 5/8								20.5

\*Denotes shallow key, keystone included. wBushings supplied with set screws.



## TAPERED BUSHINGS #3535 TO 5050 CONTINUED



**MOLINE BEARING CO.**

Post Office Box 99, Batavia, Illinois 60510, USA  
630.584.4600, 800.242.4633, 630.584.1999 fax  
www.molinebearing.com, sales@molinebearing.com

TEL # **800.242.4633**

181